

CDP-X555ES

SERVICE MANUAL



(GOLD)

*US Model
Canadian Model
AEP Model
UK Model
E Model
Australian Model*

SPECIFICATIONS

Compact disc player

Frequency response	2 Hz-20 kHz \pm 0.3 dB
Signal to noise ratio	More than 117 dB
Dynamic range	More than 100 dB
Harmonic distortion	Less than 0.0017%
Channel separation	More than 110 dB

Outputs

LINE OUT (FIXED) (phone jacks)	Output level 2V (at 50 kilo Ω) Load impedance over 10 kilo Ω
LINE OUT (VARIABLE) (phone jacks)	Output level max. 2V (at 50 kilo Ω) Load impedance over 50 kilo Ω
DIGITAL OUT (OPTICAL) (optical output connector)	Wave length 660nm Output level -18 dBm
HEADPHONES (stereo phone jack)	Output level max. 28 mW Load impedance 32 Ω

General

Power requirements	US, CND model: 120V AC, 60Hz UK, AUS model: 240V AC, 50/60Hz AEP model: 220-230V AC 50/60Hz E model: 110, 120, 220, 240V AC adjustable, 50/60Hz
Power consumption	27W
Dimensions	Approx. 470 \times 125 \times 375mm (w/h/d) (18 $\frac{5}{8}$ \times 5 \times 14 $\frac{7}{8}$ inches) Including projecting parts and controls

Model Name Using Similar Mechanism	CDP-X333ES
CD Mechanism Type	CDM11H-6C: (BLACK) CDM11I-6C: (GOLD)
Optical Pick-Up Block Type	BU-6C

Weight Approx. 12.8 kg. (27 lbs 74 oz), net

Remote commander RM-D991 (supplied)

Remote control system	Infrared control
Power Requirements	3 V DC with two batteries size AA (IEC designation R6)
Dimensions	62 \times 18 \times 175 mm (w/h/d) (2 $\frac{1}{2}$ \times 23/32 \times 7 inches)
Weight	130g (4.6 oz) Including batteries

Supplied accessories

Connecting cord (1) (2 phono plugs \leftrightarrow 2 phono plugs)
Remote commander (1)
Size AA batteries (2)
Screws (8)

Design and specifications subject to change without notice.

COMPACT DISC PLAYER
SONY[®]



SAFETY CHECK-OUT (US Model)

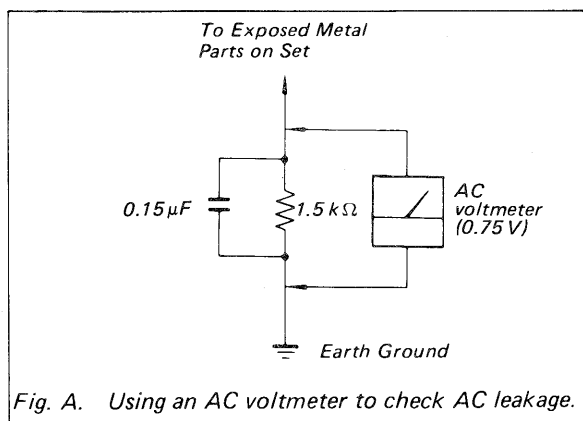
After correcting the original service problem, perform the following safety check before releasing the set to the customer:

Check the antenna terminals, metal trim, "metallized" knobs, screws, and all other exposed metal parts for AC leakage. Check leakage as described below.

LEAKAGE TEST

The AC leakage from any exposed metal part to earth ground and from all exposed metal parts to any exposed metal part having a return to chassis, must not exceed 0.5 mA (500 microamperes). Leakage current can be measured by any one of three methods.

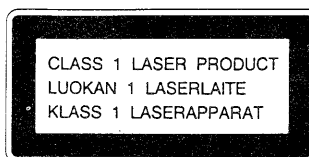
1. A commercial leakage tester, such as the Simpson 229 or RCA WT-540A. Follow the manufacturers' instructions to use these instruments.
2. A battery-operated AC milliammeter. The Data Precision 245 digital multimeter is suitable for this job.
3. Measuring the voltage drop across a resistor by means of a VOM or battery-operated AC voltmeter. The "limit" indication is 0.75 V, so analog meters must have an accurate low-voltage scale. The Simpson 250 and Sanwa SH-63Trd are examples of a passive VOM that is suitable. Nearly all battery operated digital multimeters that have a 2 V AC range are suitable. (See Fig. A)



SAFETY-RELATED COMPONENT WARNING!!

COMPONENTS IDENTIFIED BY MARK OR DOTTED LINE WITH MARK ON THE SCHEMATIC DIAGRAMS AND IN THE PARTS LIST ARE CRITICAL TO SAFE OPERATION. REPLACE THESE COMPONENTS WITH SONY PARTS WHOSE PART NUMBERS APPEAR AS SHOWN IN THIS MANUAL OR IN SUPPLEMENTS PUBLISHED BY SONY.

For the United Kingdom and European countries



This Compact Disc player is classified as a CLASS 1 LASER product. The CLASS 1 LASER PRODUCT label is located on the rear exterior.

NOTES ON HANDLING THE OPTICAL PICK-UP BLOCK OR BASE UNIT

The laser diode in the optical pick-up block may suffer electrostatic breakdown because of the potential difference generated by the charged electrostatic load, etc. on clothing and the human body.

During repair, pay attention to electrostatic breakdown and also use the procedure in the printed matter which is included in the repair parts.

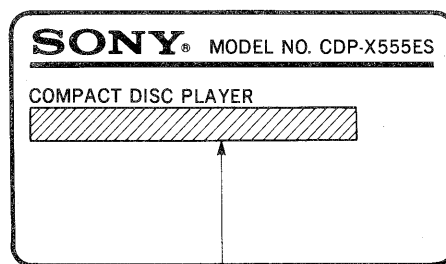
The flexible board is easily damaged and should be handled with care.

NOTES ON LASER DIODE EMISSION CHECK

The laser beam on this model is concentrated so as to be focused on the disc reflective surface by the objective lens in the optical pick-up block. Therefore, when checking the laser diode emission, observe from more than 30cm away from the objective lens.

MODEL IDENTIFICATION

—Model Number Label—



US, CND model: AC: 120V 60Hz 27W
 AEP model: AC: 220-230V~50/60Hz
 UK, AUS model: AC: 240V~50/60Hz
 E model: AC: 110, 120, 220, 240V~50/60Hz 27W

CND : Canadian model
 AUS : Australian model

ATTENTION AU COMPOSANT AYANT RAPPORT À LA SÉCURITÉ!

LES COMPOSANTS IDENTIFIÉS PAR UNE MARQUE SUR LES DIAGRAMMES SCHÉMATIQUES ET LA LISTE DES PIÈCES SONT CRITIQUES POUR LA SÉCURITÉ DE FONCTIONNEMENT. NE REMPLACER CES COMPOSANTS QUE PAR DES PIÈCES SONY DONT LES NUMÉROS SONT DONNÉS DANS CE MANUEL OU DANS LES SUPPLÉMENTS PUBLIÉS PAR SONY.

PROTECTION OF EYES FROM LASER BEAM DURING SERVICING

This set employs a laser. Therefore, be sure to follow carefully the instructions below when servicing.

CAUTION

Use of controls or adjustments or performance of procedures other than those specified herein may result in hazardous radiation exposure.

1. Laser Diode Properties

- Material: GaAlAs
- Wavelength: 780 nm
- Emission Duration: continuous
- Laser Output Power: less than 44.6 μ W*
 - * This output is the value measured at a distance of 200 mm from the objective lens surface on the Optical Pick-up Block.

2. During service, do not take the Optical Pick-up Block apart, and do not adjust the APC circuit. If there is a breakdown in the APC circuit (including laser diode), replace the entire Optical Pick-up Block (including APC board).

BESKYTTELSE AF ØJNE MOD LASERSTRÅLING UNDER SERVICE

I dette apparat anvendes laserlys. Derfor skal nedenstående instruktioner nøje følges under service.

Følg iverigt instruktionerne i servicemanualen.

ADVARSEL!!

Under service må øjnene ikke komme nær objektiv-linsen på den optiske pick-up enhed. I tilfælde af at det er nødvendigt at kontrollere udsendelsen af laserlys, skal det ske i en afstand af mere end 25 cm fra den optiske pick-up.

1. Laser-dioe data

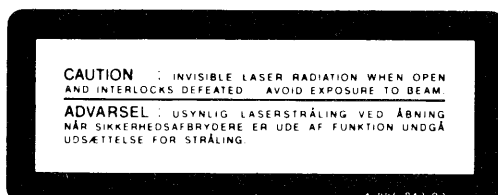
- Materiale: GaAlAs
- Bølgelængde: 780 nm
- Udstråling: Kontinuerlig
- Laseroutput: Max. 0,4 mW*
 - * Målt i 1,6 mm afstand fra overfladen af objektiv-linsen på den optiske pick-up enhed.
- Klassifikation: Klasse IIIb.

2. Adskil aldrig den optiske pick-up enhed under service, og juster ikke APC kredsløbet (Automatic Power Control). Hvis APC kredsløbet (incl. laserdioden) bryder ned, skal hele den optiske pick-up enhed (incl. APC printkortet) udskiftes.

LASER ADVARSEL MÆRKNING

Følgende mærkning findes indvendig i apparatet:

1. Advarsel Mærkning



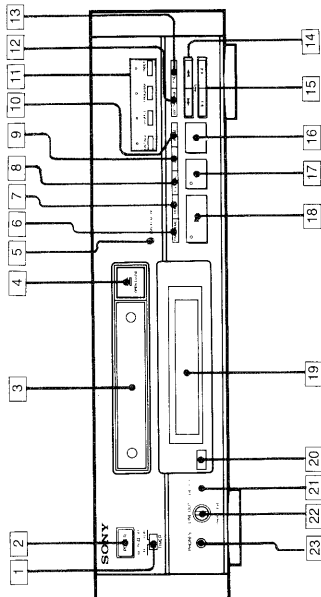
VAROITUS: Laite sisältää, laserdiodin, joka lähettää (näkyvätöntä) silmille vaarallista lasersäteilyä.

SECTION 1 GENERAL

This section is extracted from instruction manual.

Location of Controls

Front Panel

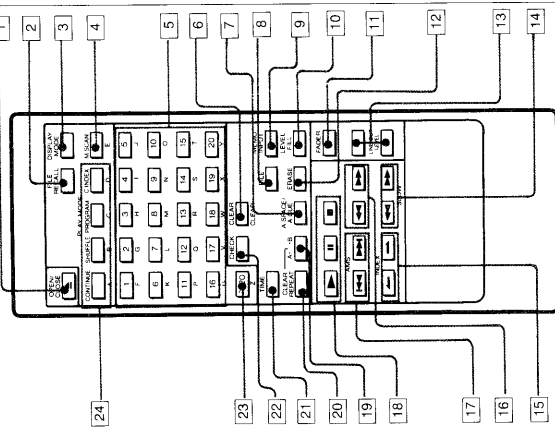


Refer to the pages indicated in ● for details.

- 1. TIMER switch ●
- 2. POWER switch ●
- 3. Disc tray ●
- 4. OPEN/CLOSE button ●
- 5. DISPLAY MODE button ●
- 6. TIME/MEMO button ●
- 7. REPEAT button ●
- 8. FILE RECALL button ●
- 9. FILE (custom file) button ●
- 10. ERASE (memory erase) button ●
- 11. PLAY MODE buttons ●
- 12. EDIT/TIME FADE button ●
- 13. P. (peak) SEARCH button ●
- 14. (manual search) buttons ●
- 15. AMS* buttons ●
- 16. (stop) button ●
- 17. (pause) button ●
- 18. (play) button ●
- 19. Display window ●
- 20. Remote sensor ●
- 21. LEVEL FILE button ●
- 22. LINE OUT/PHONE LEVEL control ●
- 23. PHONES jack ●

● AMS is the abbreviation of Automatic Music Sensor.

Remote Commander

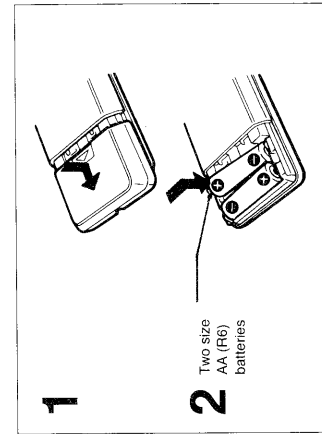


Refer to the pages indicated in ● for details.

- 1. OPEN/CLOSE button ●
- 2. FILE RECALL button ●
- 3. DISPLAY MODE button ●
- 4. M. (music) SCAN button ●
- 5. Numeric buttons ●
- 6. CLEAR button ●
- 7. A. SPACE (auto space)/A. CUE (auto cue) button ●
- 8. FILE (custom file) button ●
- 9. MEMO INPUT button ●
- 10. LEVEL FILE button ●
- 11. ERASE button ●
- 12. FADER (fade in/fade out) button ●
- 13. LINE OUT LEVEL (line out/headphone level) buttons ●
- 14. SLOW (low speed manual search) buttons ●
- 15. (manual search) buttons ●
- 16. AMS buttons ●
- 17. (stop) button ●
- 18. (pause) button ●
- 19. (play) button ●
- 20. A → B repeat button ●
- 21. CLEAR REPEAT button (A → B repeat clear/repeat) button ●
- 22. TIME button ●
- 23. CHECK button ●
- 24. PLAY MODE buttons ●
- CONTINUE button ●
- SHUFFLE button ●
- PROGRAM button ●
- C. (custom) INDEX button ●

Buttons with yellow letters (A, B, C, ...) are for writing a disc memo (page 26).

Installing Batteries in the Remote Commander



On battery life

- About half a year of normal operation can be expected when using the Sony SUM-3(NS) batteries.
- When the batteries are run down, the remote commander will not operate the unit. In this case, replace both batteries with new ones.

Notes on the remote commander and remote control operation

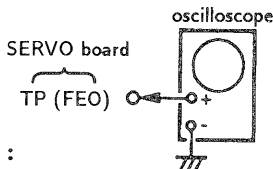
- Keep the commander away from extremely hot or humid places.
- Avoid dropping any foreign objects into the commander casing, particularly when replacing the batteries.
- Avoid exposing the remote sensor to direct sunlight or lighting apparatus. Such exposure can cause a malfunction.
- To avoid damage caused by battery leakage and corrosion, remove the batteries when the commander will not be used for a long time.

SECTION 2 ELECTRICAL ADJUSTMENTS

Note :

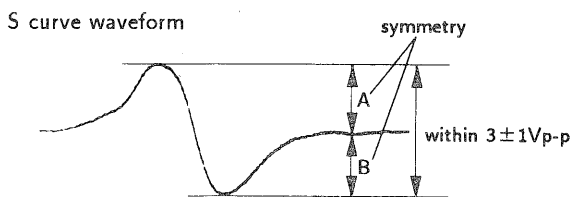
1. CD Block basically constructed to operate without adjustment. Therefore, check each item in order given.
2. Use YEDS-18 disc (3-702-101-01) unless otherwise indicated.
3. Use the oscilloscope with more than 10MΩ impedance.
4. Clean an object lens by an applicator with neutral detergent when the signal level is low than specified value with the following checks.

S Curve Check



Procedure :

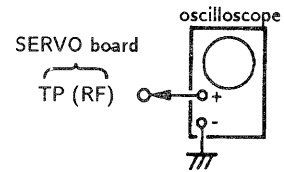
1. Connect oscilloscope to test point TP (FEO) on SERVO board.
2. Connect between test point TP (FES) to ground with lead wire.
3. Turned Power switch on and actuate the focus serch. (actuate the focus serch when disc table is moving in and out.)
4. Check the oscilloscope waveform (S curve) is symmetrical between A and B. And confirm peak to peak level within $3 \pm 1V_{p-p}$.



5. After check, remove the lead wire connected in step 2.

- Note :**
- Try to measure several times to make sure that the ratio of A : B or B : A is more than 10 : 7.
 - Take sweep time as long as possible and light up the brightness to obtain best waveform.

RF Level Check

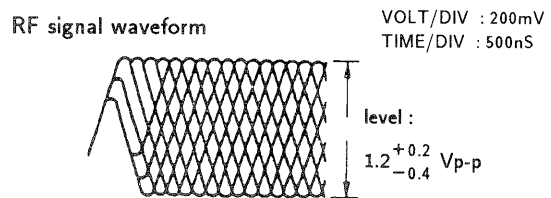


Procedure :

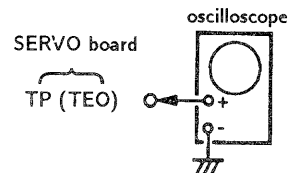
1. Connect oscilloscope to test point TP (RF) on SERVO board.
2. Turn Power switch on.
3. Put disc (YEDS-18) in and playback.
4. Confirm that oscilloscope waveform is clear and check RF signal level is correct or not.

Note :

Clear RF signal waveform means that the shape “◇” can be clearly distinguished at the center of the waveform.

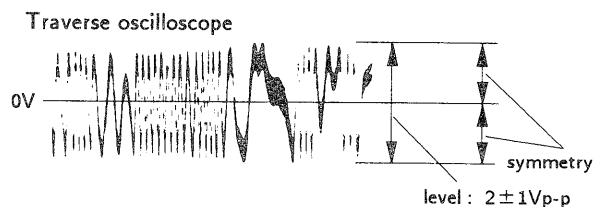


E-F Balance Check



Procedure :

1. Connect test point TP (ADJ) and TP (TES) to ground with lead wire.
2. Connect oscilloscope to test point TP (TEO) on SERVO board.
3. Turn Power switch on.
4. Put disc (YEDS-18) in and playback.
5. Confirm that the oscilloscope waveform is symmetrical on the top and bottom in relation to 0V, and check this level.

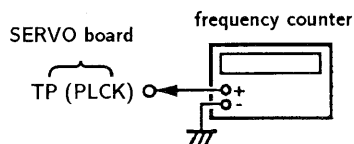


6. Remove the lead wire connected in step 1.

RF PLL Free-run Frequency Check

Procedure :

1. Connect frequency counter to test point (PLCK) on SERVO board.



2. Turn Power switch on.
3. Confirm that reading on frequency counter is
4. 3218MHz.

Focus/Tracking Gain

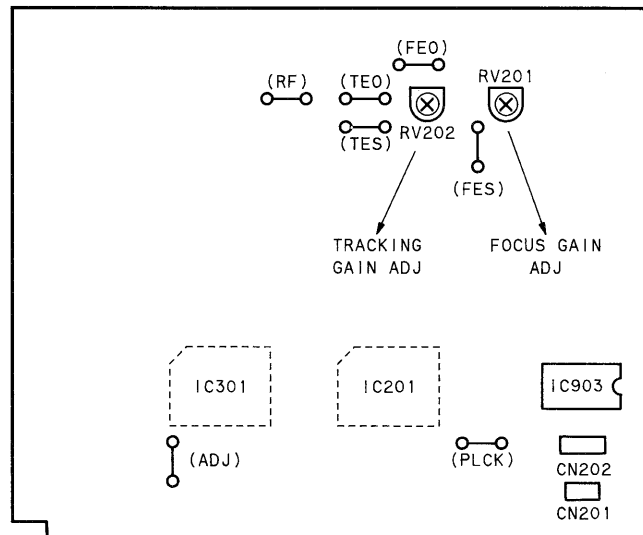
This gain has a margin, so even if it is slightly off. There is no problem.

Therefore, do not perform, this adjustment.

Please note that it should be fixed to mechanical center position when you moved and do not know original position.

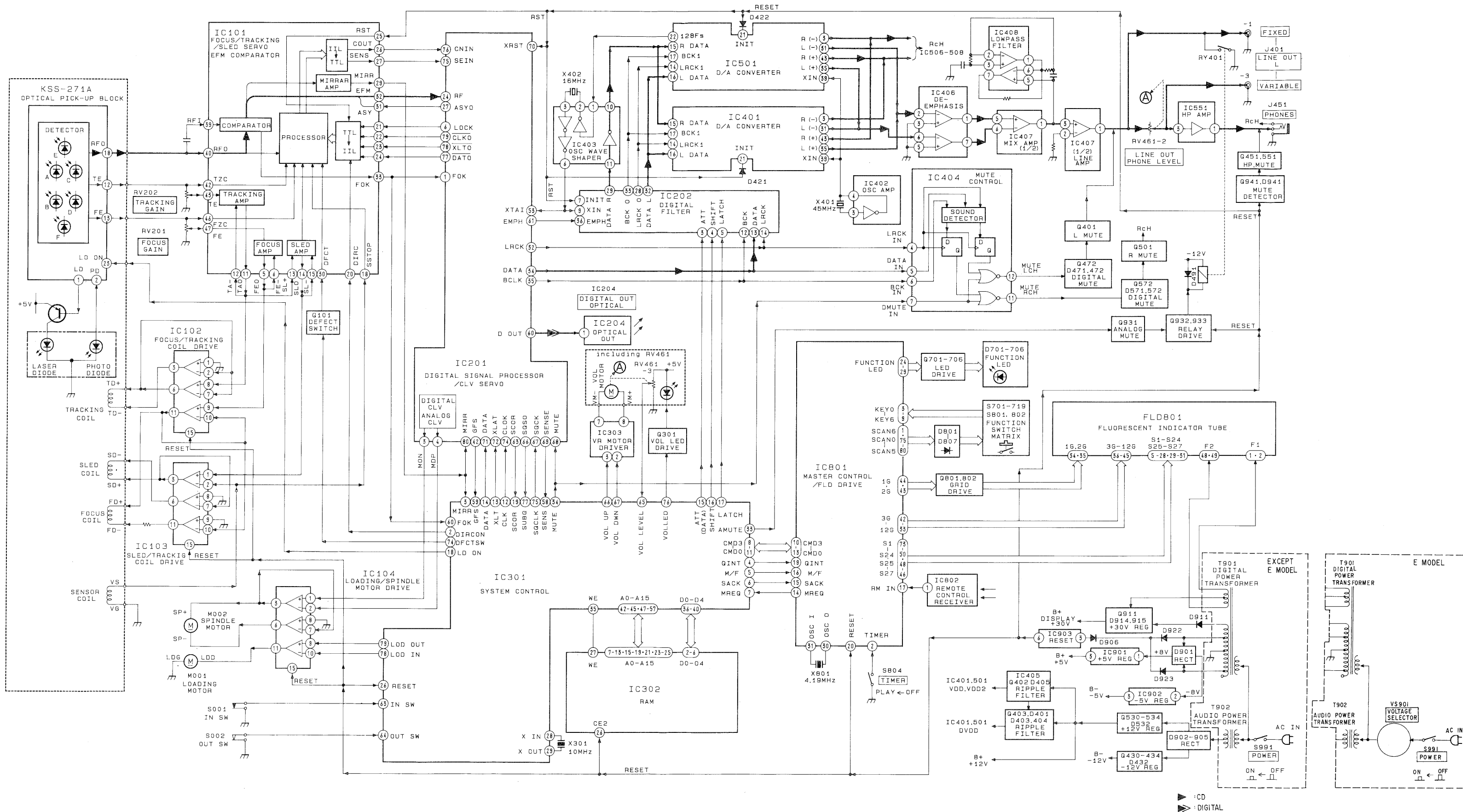
Adjustment Location :

[SERVO BOARD] (COMPONENT SIDE)

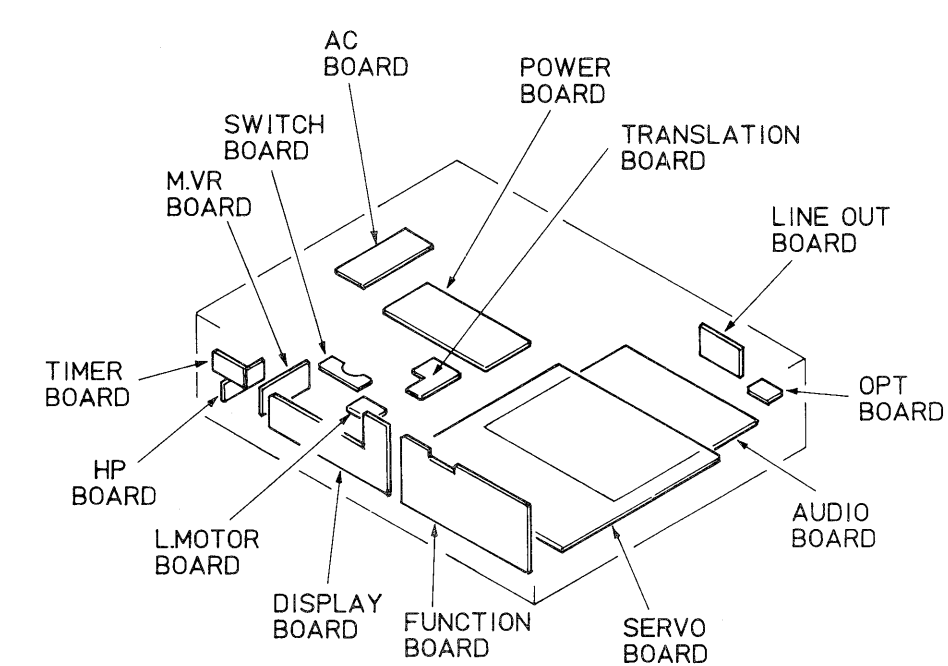


SECTION 3 DIAGRAMS

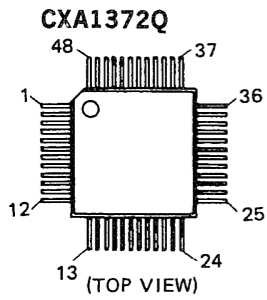
3-1. BLOCK DIAGRAM



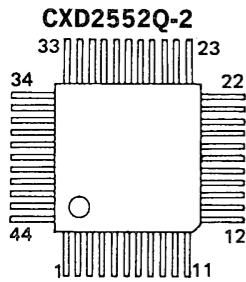
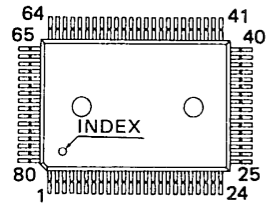
3-2. CIRCUIT BORDS LOCATION



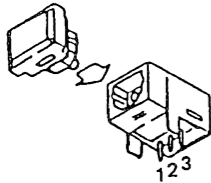
3-3. SEMICONDUCTOR LEAD LAYOUTS



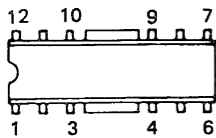
CXD2500AQ
MSC62408-015GS-V1K
M37450M8-376FP



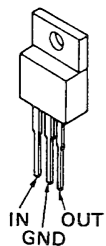
GPIF32T



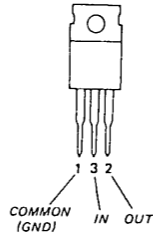
LA6523



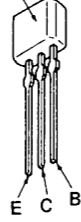
M5F7805L



M5F7905L



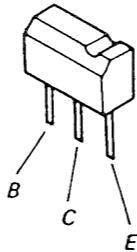
BN1L3Z-K
 letter side



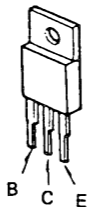
DTA114ES
DTC114ES
DTC144ES



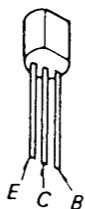
DTC114EF



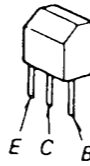
2SA985A-P
2SC2275A-P
2SC4431-K



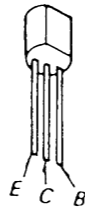
2SA1371-E



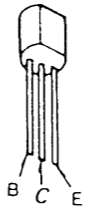
2SC1941-KA
2SD774-34



2SC2878-B
2SC3622A-K



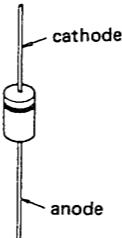
2SC3246-JK



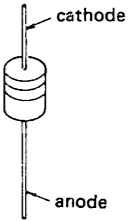
2SK241-GR



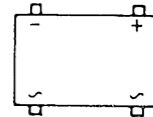
EQB01-08Q
21DQ05
31DF2-FA



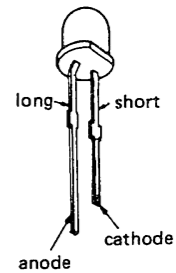
HZS7B2L
HZS7B3L
HZS36-2L
RD4.7ES-B2
RD4.7JS-B2
RD5.1JS-B2
1SS120
1SS202-1
11ES2



RDF02M



BR3371X
MAY3371X-M-177
MBG3371X-177
MPG3371X-150
MPY3371X-177



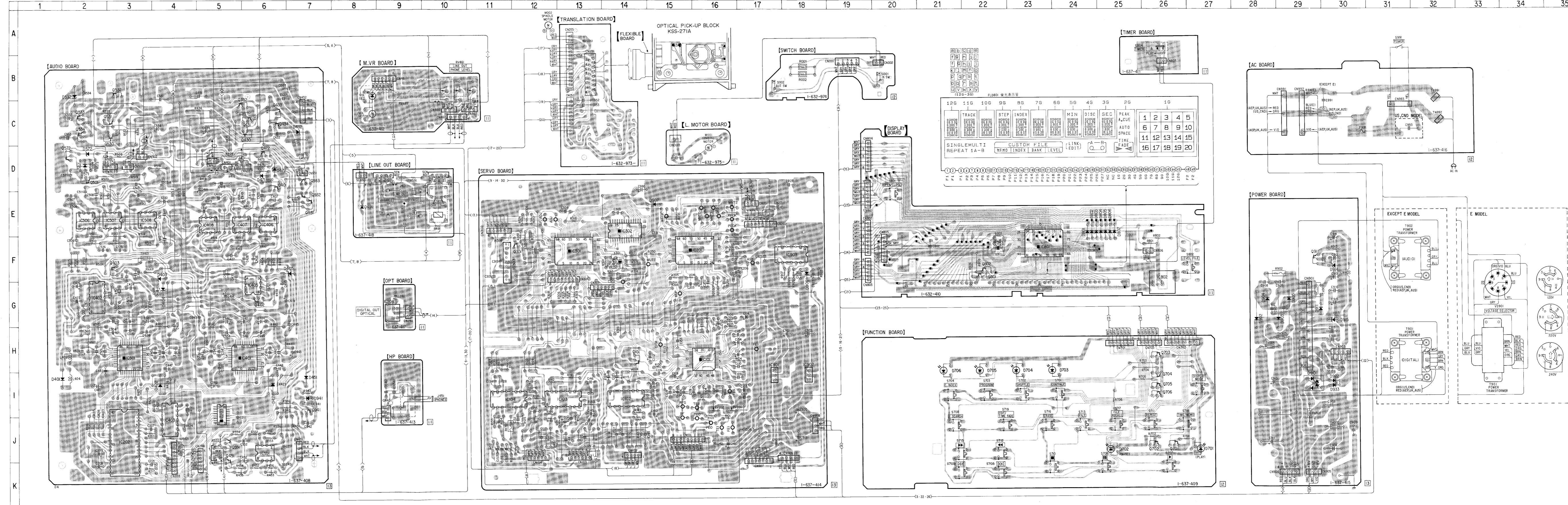
• Semiconductor Location

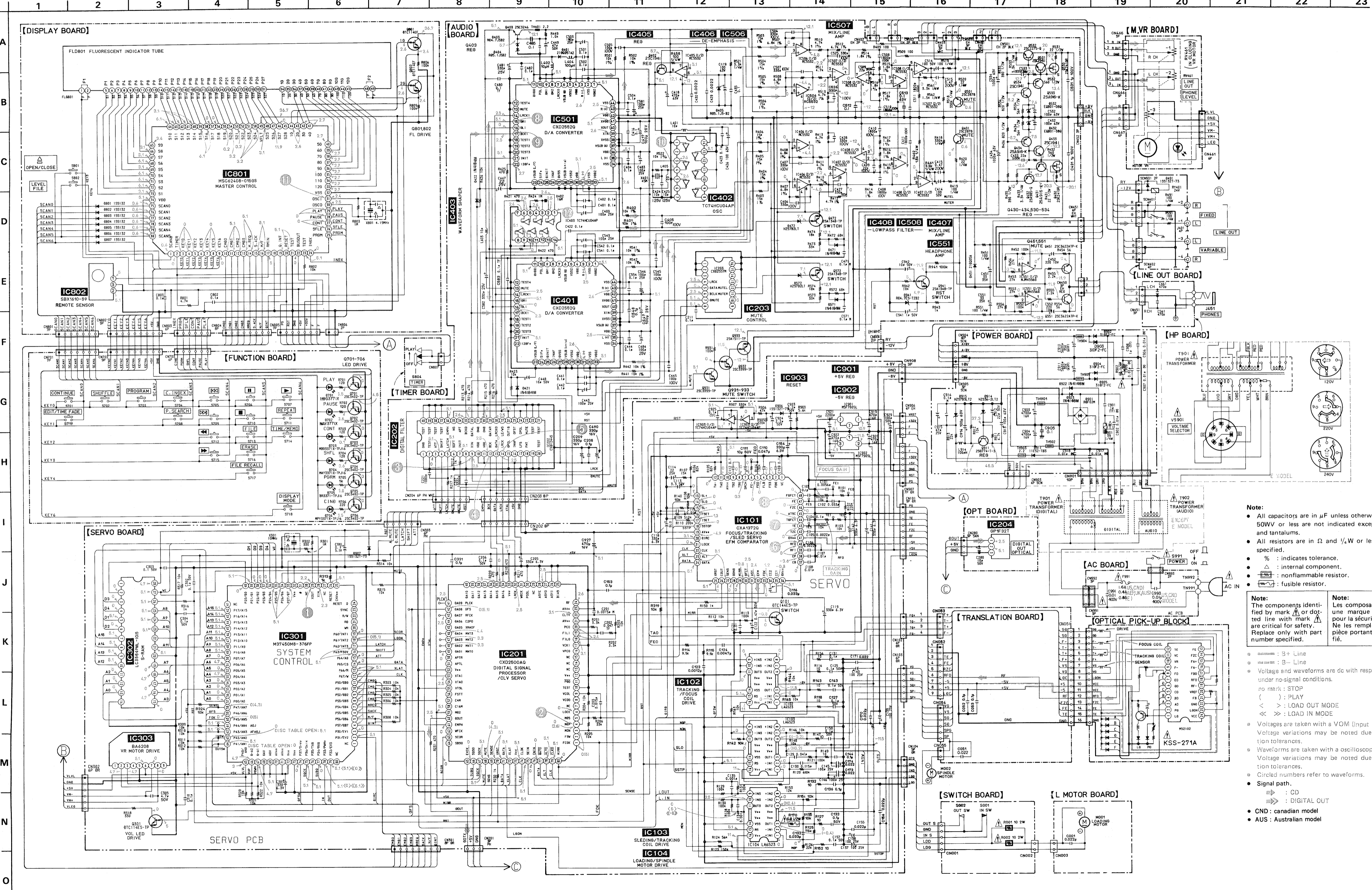
Ref. No.	Location	Ref. No.	Location
D401	I-2	IC802	G-26
D403	G-4	IC901	I-17
D404	G-4	IC902	I-18
D405	G-7	IC903	F-18
D421	I-6		
D422	I-4	Q101	H-14
D432	C-7	Q301	F-12
D451	I-6	Q401	E-6
D471	D-6	Q402	G-6
D472	D-6	Q403	F-3
D491	E-8	Q430	C-6
D532	C-2	Q431	C-6
D571	D-2	Q432	C-6
D572	D-2	Q433	C-6
D701	K-27	Q434	C-6
D702	K-25	Q451	K-5
D703	I-24	Q472	D-6
D704	I-23	Q501	D-2
D705	I-22	Q530	D-3
D706	I-21	Q531	C-3
D801	F-24	Q532	C-3
D802	F-25	Q533	C-2
D803	F-25	Q534	C-2
D804	F-25	Q551	J-5
D805	F-25	Q572	D-2
D806	F-25	Q701	J-26
D807	F-25	Q702	J-26
D901	I-29	Q703	H-26
D902	H-28	Q704	I-26
D903	H-29	Q705	I-26
D904	G-28	Q706	I-26
D905	G-29	Q801	G-22
D906	G-18	Q802	G-22
D907	E-15	Q911	F-30
D911	G-30	Q931	E-7
D914	G-30	Q932	E-7
D915	H-30	Q933	E-7
D922	I-30	Q941	J-7
D923	I-30		
D941	I-7		
IC101	H-16		
IC102	I-14		
IC103	I-13		
IC104	I-12		
IC201	F-16		
IC202	J-3		
IC203	J-5		
IC204	G-9		
IC301	F-13		
IC302	F-14		
IC303	F-12		
IC401	H-6		
IC402	G-2		
IC403	J-4		
IC405	G-6		
IC406	E-6		
IC407	E-6		
IC408	E-5		
IC501	H-3		
IC506	E-2		
IC507	E-3		
IC508	E-4		
IC551	J-6		
IC801	F-23		

Note:

- : parts extracted from the component side.
- : parts extracted from the conductor side.
- : parts mounted on the conductor side.
- (with dot) : Through hole.
- ▨ : Pattern on the side which is seen.
- (with dot) : Pattern of the rear side.
- (with CND) : canadian model
- (with AUS) : Australian model

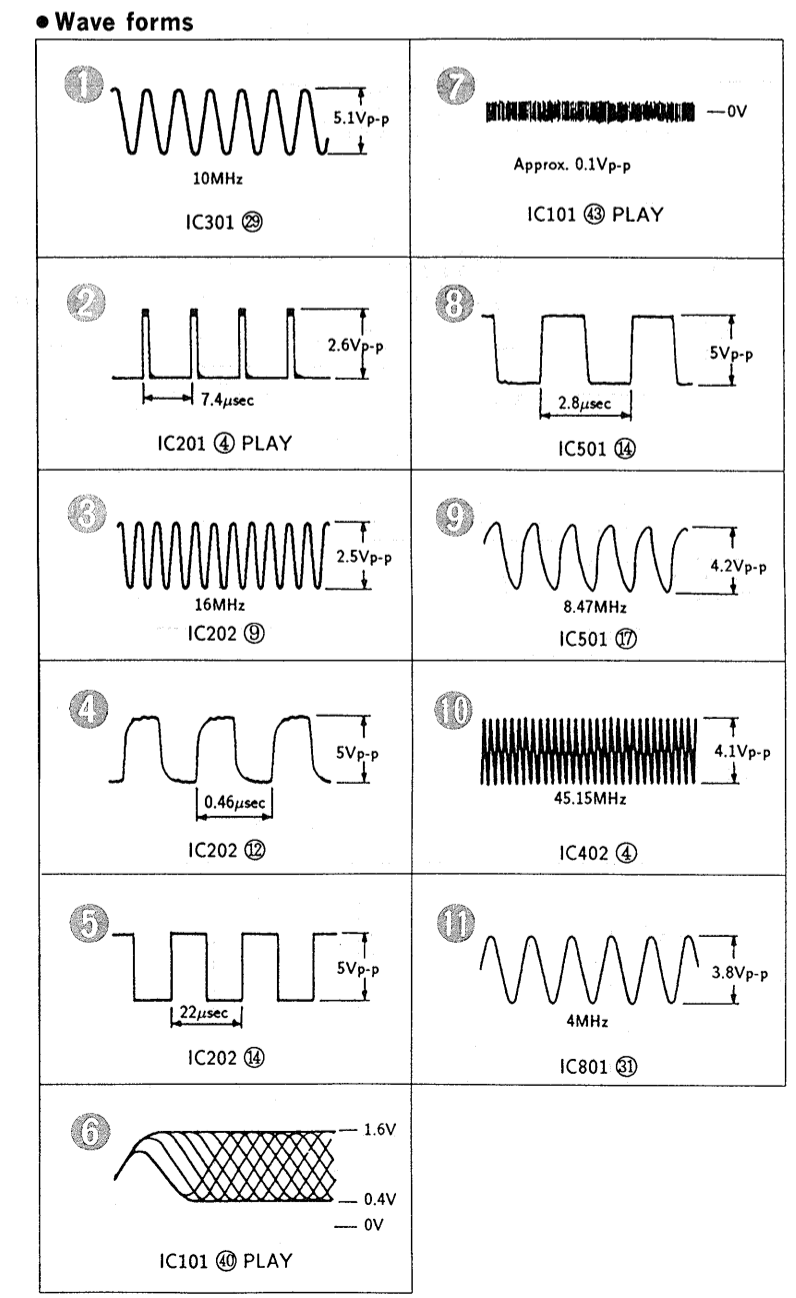
3-4. PRINTED WIRING BOARDS • Refer to page 10 for Semiconductor Lead Layouts.





• Indicator tube terminal

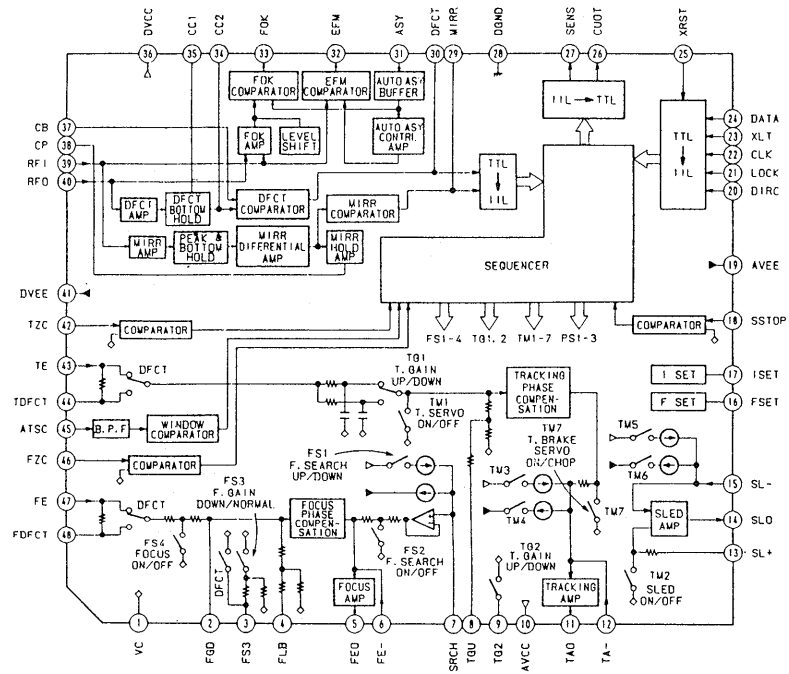
	12G	11G	10G	9G	8G	7G	6G	5G	4G	3G	REPEAT	1G
P1	a	a	a	a	a	a	a	a	a	a	REPEAT	1
P2	b	b	b	b	b	b	b	b	b	b	1	2
P3	c	c	c	c	c	c	c	c	c	c	A	3
P4	d	d	d	d	d	d	d	d	d	d	B	4
P5	e	e	e	e	e	e	e	e	e	e	A.C.U.E	5
P6	f	f	f	f	f	f	f	f	f	f	AUTO SPACE	6
P7	g	g	g	g	g	g	g	g	g	g	SINGLE	7
P8	h	h	h	h	h	h	h	h	h	h	MULTI	8
P9	i	i	i	i	i	i	i	i	i	i	CUSTOM FILE	9
P10	j	j	j	j	j	j	j	j	j	j	MEMO	10
P11	k	k	k	k	k	k	k	k	k	k	INDEX	11
P12	l	l	l	l	l	l	l	l	l	l	BANK	12
P13	m	m	m	m	m	m	m	m	m	m	LEVEL	13
P14	n	n	n	n	n	n	n	n	n	n	[LINK]	14
P15	o	o	o	o	o	o	o	o	o	o	EDIT	15
P16	p	p	p	p	p	p	p	p	p	p		16
P17	q	q	q	q	q	q	q	q	q	q	A	17
P18	r	r	r	r	r	r	r	r	r	r	B	18
P19	s	s	s	s	s	s	s	s	s	s	[O.O]	19
P20	t	t	t	t	t	t	t	t	t	t	TIME	20
P21	u	u	u	u	u	u	u	u	u	u	FADE	-
P22	v	v	v	v	v	v	v	v	v	v		-
P23	w	w	w	w	w	w	w	w	w	w		-
P24	x	x	x	x	x	x	x	x	x	x		-
P25	y	y	y	y	y	y	y	y	y	y		-
P26	-	TRACK	-	STEP	INDEX	-	-	MIN	DISC	SEC	PEAK	
P27	-	-	-	-	-	-	-	O	-	-	-	



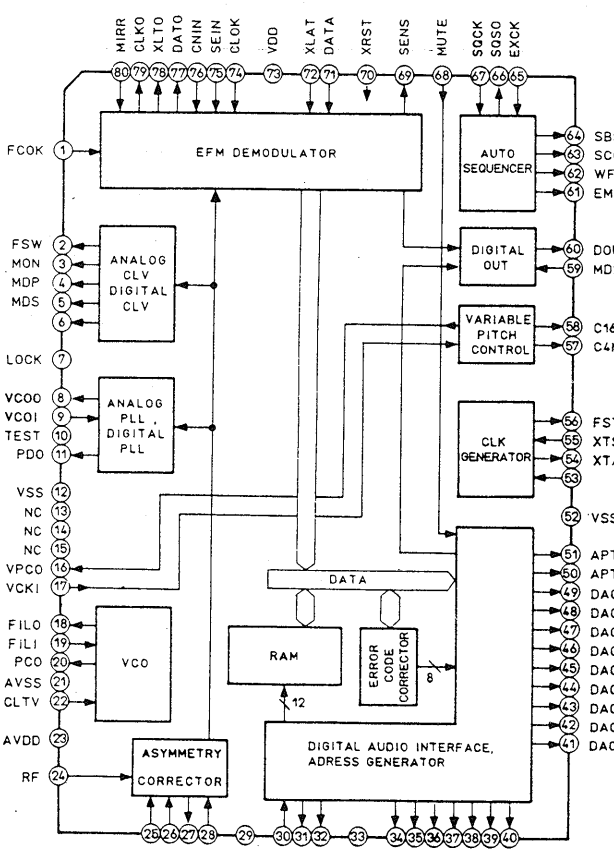
- Note:
- All capacitors are in μF unless otherwise noted. pF: μF .
 - 50WV or less are not indicated except for electrolytics and tantalums.
 - All resistors are in Ω and $\frac{1}{2}\text{W}$ or less unless otherwise specified.
 - % : indicates tolerance.
 - \square : internal component.
 - \square : nonflammable resistor.
 - \square : fusible resistor.
- Note:
- The components identified by mark Δ or dotted line with mark Δ are critical for safety. Replace only with part number specified.
- Note:
- Les composants identifiés par une marque Δ sont critiques pour la sécurité. Ne les remplacer que par une pièce portant le numéro spécifié.
- \square : B+ Line
 - \square : B- Line
 - Voltage and waveforms are dc with respect to ground under no-signal conditions.
 - no mark : STOP
 - () : PLAY
 - < > : LOAD OUT MODE
 - << >> : LOAD IN MODE
 - Voltages are taken with a VOM (input Impedance 10M Ω). Voltage variations may be noted due to normal production tolerances.
 - Waveforms are taken with a oscilloscope. Voltage variations may be noted due to normal production tolerances.
 - Circled numbers refer to waveforms.
 - Signal path.
 - \Rightarrow : CD
 - \Rightarrow : DIGITAL OUT
 - \square : canadian model
 - \square : AUS : Australian model

3-6. IC BLOCK DIAGRAMS

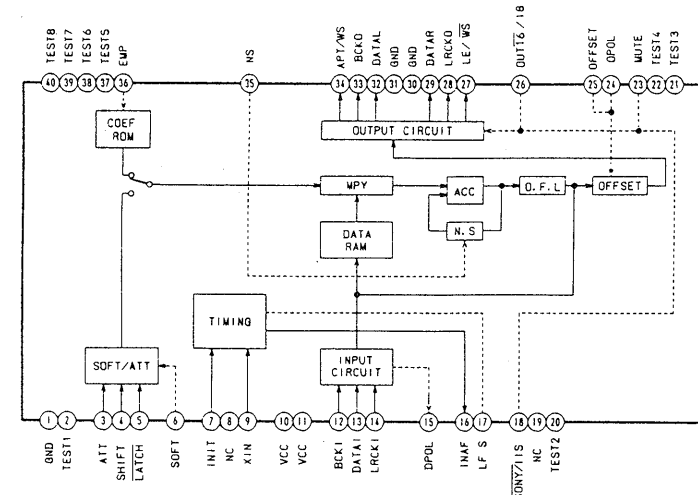
IC101 CXA1372Q



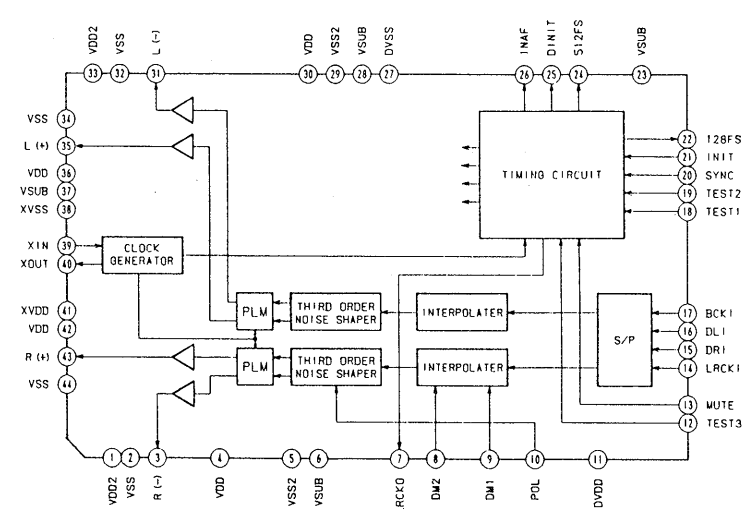
IC201 CXD2500AQ



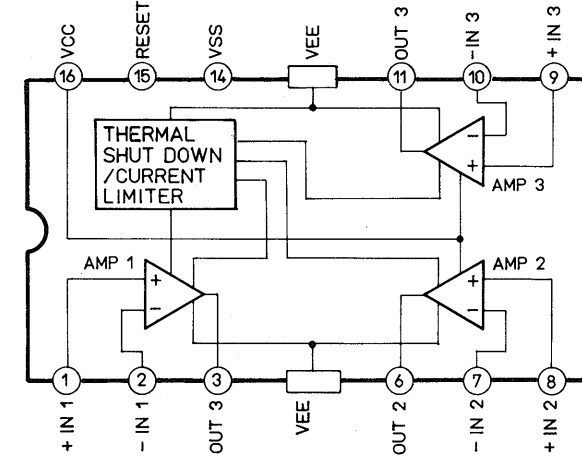
IC202 CXD1244S



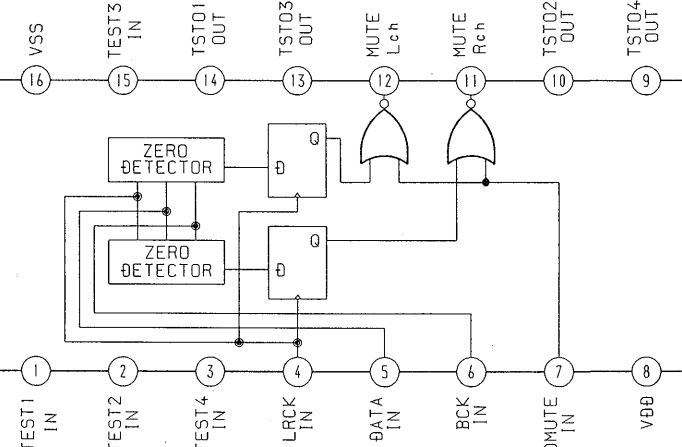
IC401, 501 CXD2552Q-2



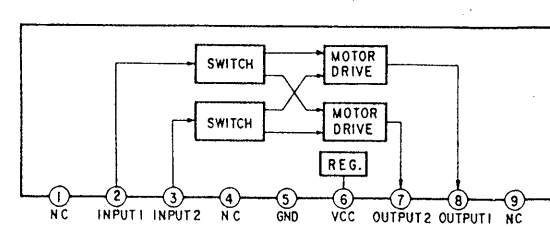
IC102, 103, 104 LA6253



IC203 CXD2557M



IC303 BA6208

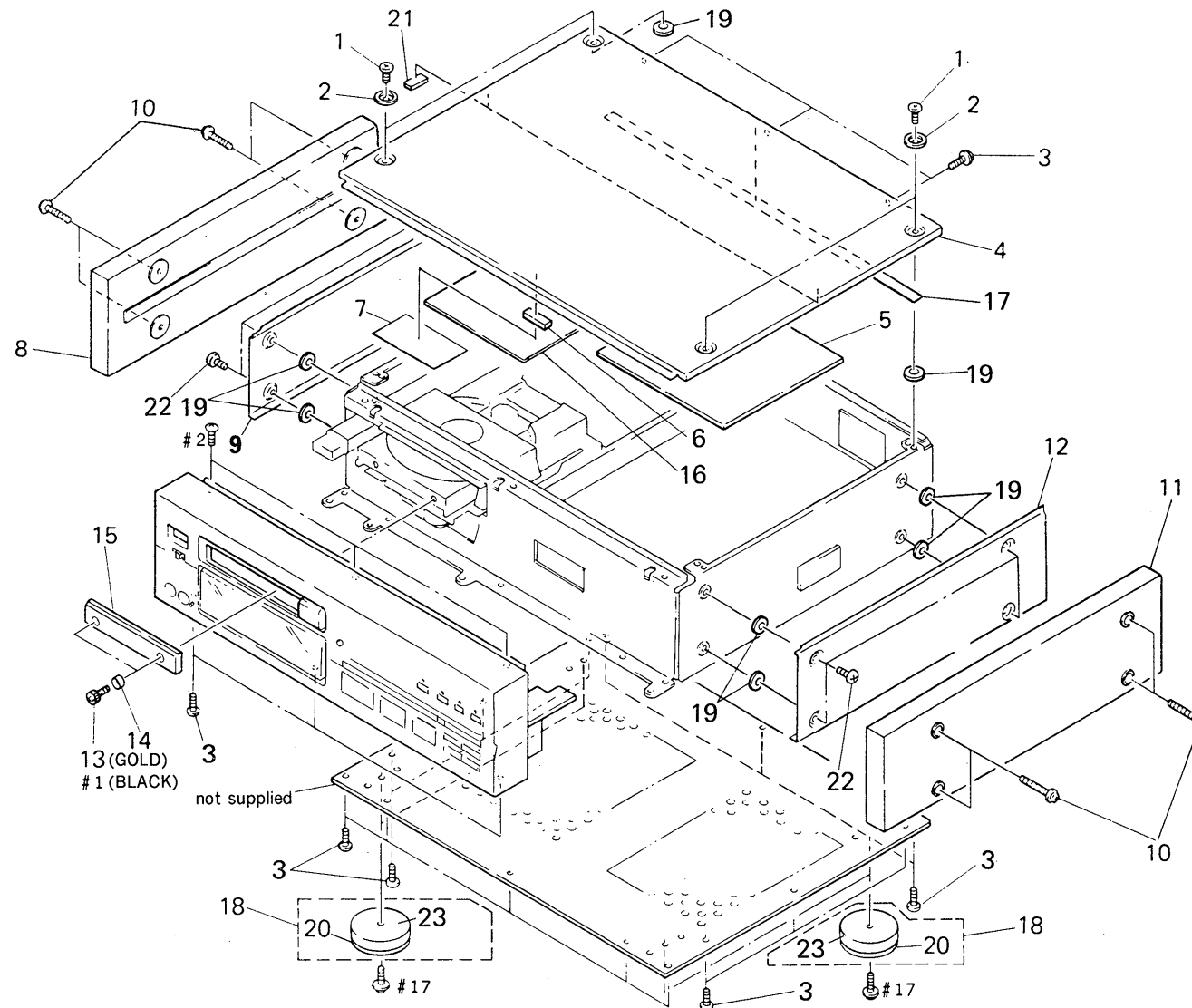


SECTION 4 EXPLODED VIEWS

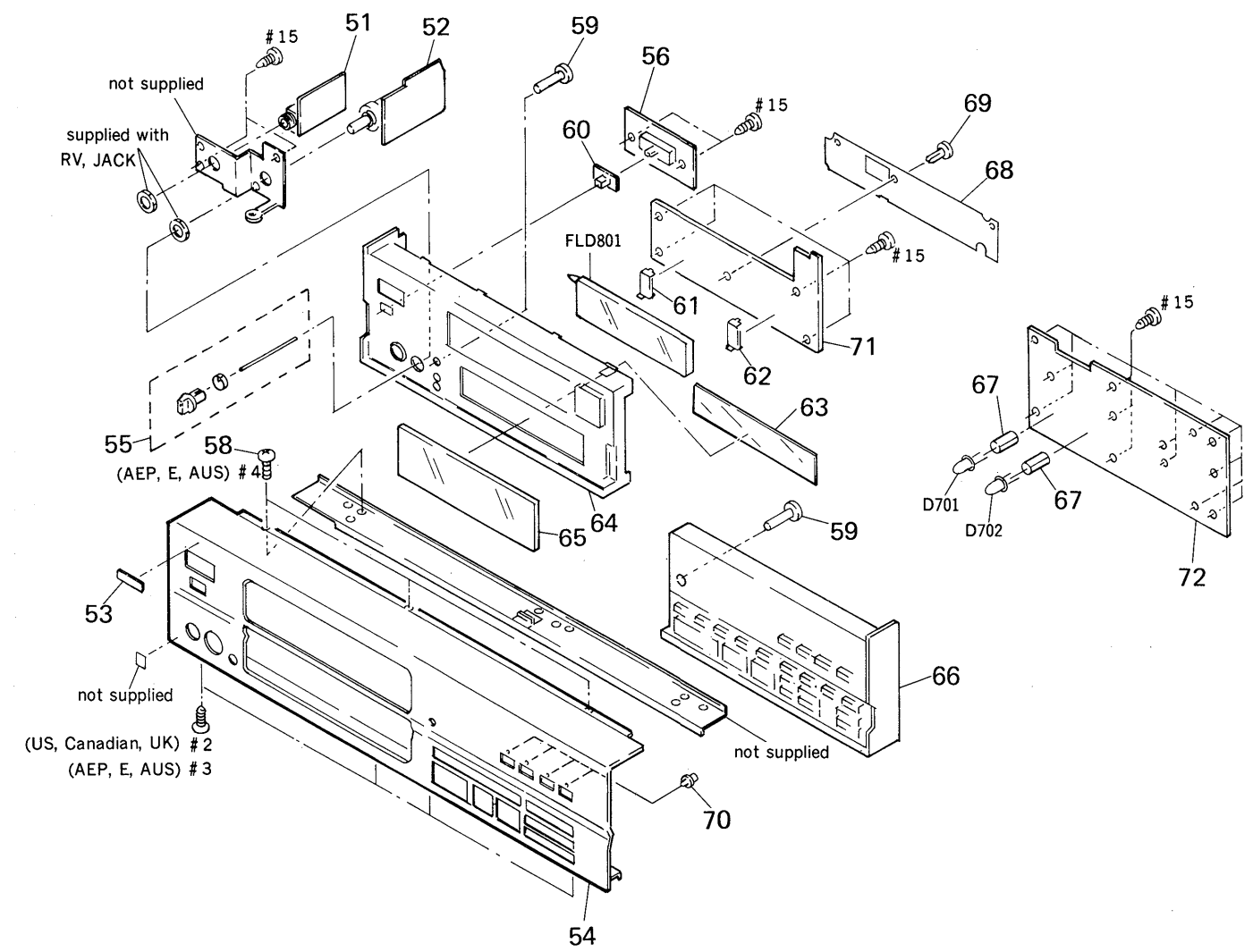
NOTE:

- The mechanical parts with no reference number in the exploded views are not supplied.
- Items marked "*" are not stocked since they are seldom required for routine service. Some delay should be anticipated when ordering these items.
- XX, -X mean standardized parts, so they may have some differences from the original one.
- Color Indication of Appearance Parts Example: KNOB, BALANCE (WHITE)...(RED)
- Parts Color Cabinet's Color
- CND: canadian model
- AUS: Australian model
- Hardware(# mark) list is given in the last of this parts list.
- The components identified by mark Δ or dotted line with mark Δ are critical for safety. Replace only with part number specified.
- Les composants identifiés par une marque Δ sont critiques pour la sécurité. Ne les remplacer que par une pièce portant le numéro spécifié.

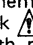

4-1. CABINET

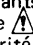


4-2. FRONT PANEL

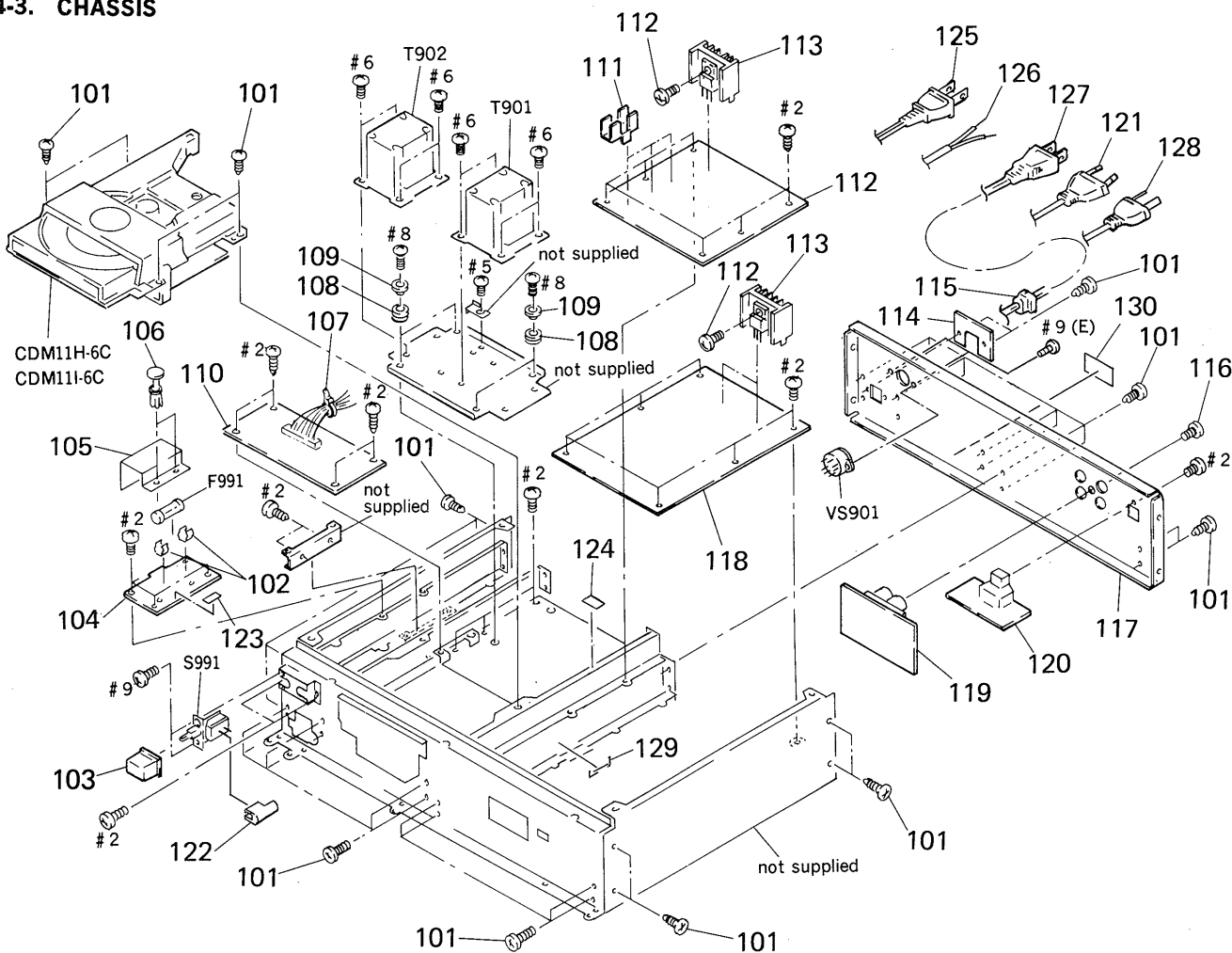



Ref. No.	Part No.	Description	Remark	Ref. No.	Part No.	Description	Remark	Ref. No.	Part No.	Description	Remark	Ref. No.	Part No.	Description	Remark
1	4-924-242-11	SCREW (M3X6), FLAT HEAD (BLACK)		12	4-925-369-11	CASE (RIGHT) (BLACK)		51	* 1-637-413-11	HP BOARD		63	4-941-651-01	FILTER	
1	4-924-242-01	SCREW (M3X6), FLAT HEAD (GOLD)		12	4-925-369-21	CASE (RIGHT) (GOLD)		52	* 1-637-412-11	M. VR BOARD		64	X-4941-208-1	PANEL (BASE) (L) ASSY (BLACK)	
2	4-928-025-11	ESCUTCHEON (TOP PLATE) (BLACK)		13	4-942-447-01	SCREW, ORNAMENTAL (2.6X4) (GOLD)		53	4-908-848-01	EMBLEM, SONY (BLACK)		64	X-4941-676-1	PANEL (BASE) (L) ASSY (GOLD)	
2	4-928-025-41	ESCUTCHEON (TOP PLATE) (GOLD)		14	4-884-635-00	BASE, ORNAMENTAL (BLACK)		53	4-908-848-21	EMBLEM, SONY (GOLD)		65	4-941-650-01	PLATE, INDICATION (BLACK)	
3	4-929-074-01	SCREW (3X8)		14	4-884-635-21	BASE, ORNAMENTAL (GOLD)		54	4-941-631-01	PANEL, FRONT (AEP, E, AUS) (BLACK)		65	4-941-650-21	PLATE, INDICATION (GOLD)	
4	4-925-367-21	CASE (TOP PLATE) (BLACK)		15	X-4941-212-1	PANEL ASSY, LOADING (BLACK)		54	4-941-631-11	PANEL, FRONT (GOLD)		66	X-4941-210-1	BASE (R) ASSY, PANEL (BLACK)	
4	4-925-367-31	CASE (TOP PLATE) (GOLD)		15	X-4941-680-1	PANEL ASSY, LOADING (GOLD)		54	4-941-631-22	PANEL, FRONT (US, Canadian, UK)		66	X-4941-678-1	BASE (R) ASSY, PANEL (GOLD)	
5	* 4-913-189-11	FELT (B), ACOUSTIC ABSORBENT		16	* 4-935-913-11	CUSHION (BLACK)		55	A-4604-877-A	KNOB (HP) ASSY (GOLD)		67	* 4-923-532-21	SPACER, LED	
6	* 4-918-690-01	SHEET, ADHESIVE		16	4-935-913-01	CUSHION (GOLD)		55	A-4604-698-A	KNOB (HP) ASSY (BLACK)		68	* 4-941-220-01	COVER (CABLE)	
7	* 4-923-563-11	CUSHION (BLACK)		17	* 4-378-254-31	SHEET (BLACK)		56	* 1-637-411-11	TIMER BOARD		69	3-531-576-11	RIVET	
7	* 4-923-563-01	CUSHION		17	* 4-378-254-11	SHEET (GOLD)		58	3-703-885-21	SCREW (+BV 3X8) (US, Canadian, UK)		70	4-941-648-01	INDICATOR (MODE)	
8	X-4922-574-2	BOARD (LEFT) ASSY, SIDE (AEP) (BLACK)		18	X-4922-549-1	FOOT ASSY (BLACK)		59	4-941-647-01	BUTTON (DISPLAY) (BLACK)		71	* 1-637-410-11	DISPLAY BOARD	
8	X-4941-199-1	BOARD (LEFT) ASSY, SIDE (GOLD)		18	X-4941-711-1	FOOT ASSY (GOLD)		59	4-941-647-21	BUTTON (DISPLAY) (GOLD)		72	* 1-637-409-11	FUNCTION BOARD	
9	4-925-368-11	CASE (LEFT) (BLACK)		19	4-935-917-01	WASHER (CASE)		60	4-922-518-11	KNOB (TIMER) (BLACK)		D701	8-719-970-07	DIODE MBG3371X-TP-J47K	
9	4-925-368-21	CASE (LEFT) (GOLD)		20	4-922-543-01	FOOT		60	4-922-518-61	KNOB (TIMER) (GOLD)		D702	8-719-971-52	DIODE M3371X-TP-J47K	
10	4-885-979-11	SCREW (4X25) (EXCEPT FOR UK)		21	* 4-929-017-01	CUSHION		61	* 4-928-053-01	HOLDER (LEFT)		FLD801	1-519-622-11	INDICATOR TUBE, FLUORESCENT	
11	X-4922-575-2	BOARD (RIGHT) ASSY, SIDE (AEP) (BLACK)		22	4-947-802-00	SCREW (UK)		62	* 4-928-052-01	HOLDER (RIGHT)					
11	X-4941-200-1	BOARD (RIGHT) ASSY, SIDE (GOLD)		23	* 4-925-370-02	BASE, FOOT (BLACK)									
				23	* 4-925-370-11	BASE, FOOT (GOLD)									

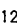
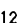

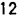


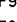



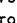

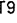


Note:
The components identified by mark  or dotted line with mark  are critical for safety. Replace only with part number specified.

Note:
Les composants identifiés par une marque  sont critiques pour la sécurité. Ne les remplacer que par une pièce portant le numéro spécifié.

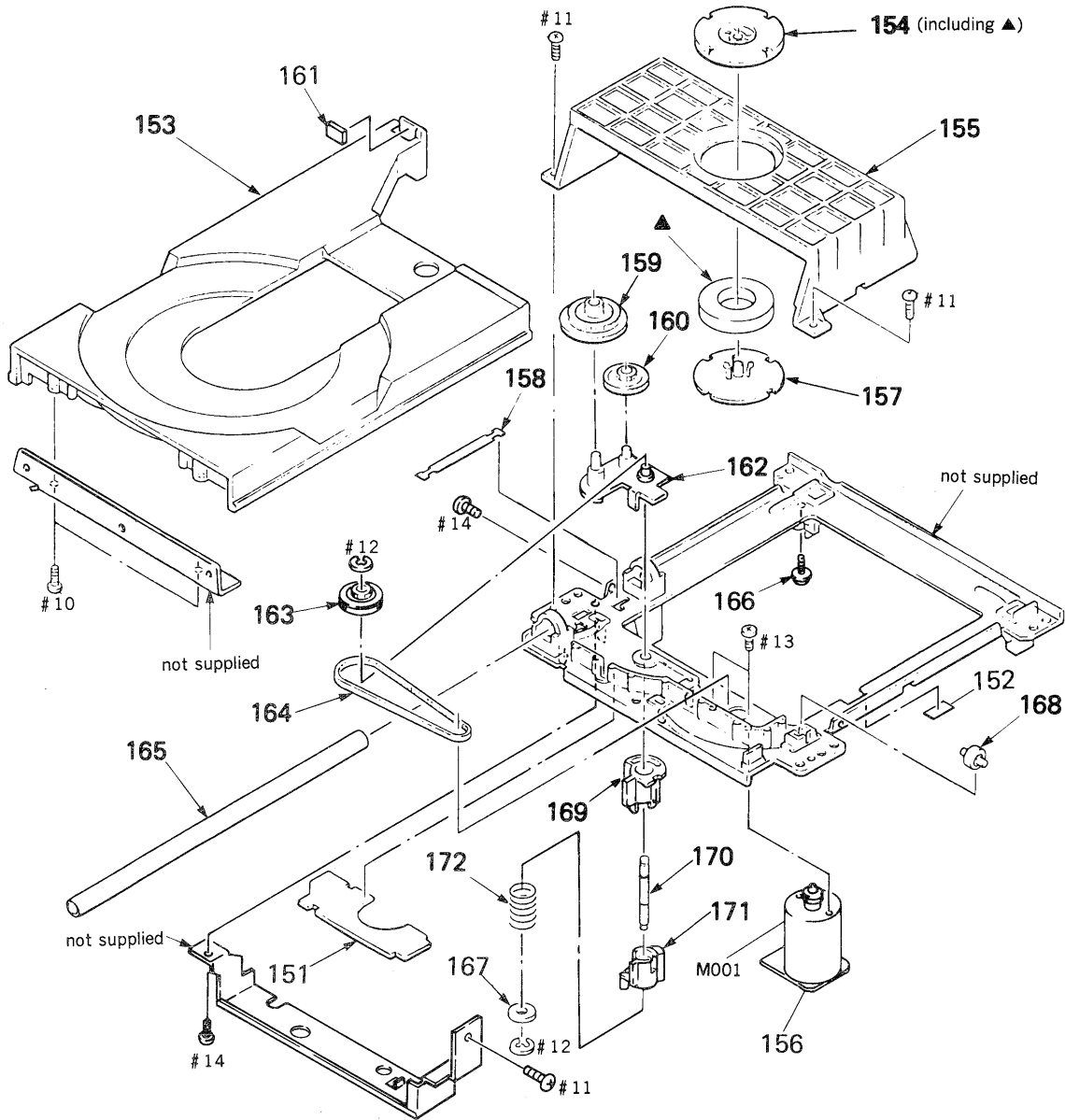
4-3. CHASSIS



Ref. No.	Part No.	Description	Remark
101	4-929-074-01	SCREW (3X8)	
102	 1-533-183-11	HOLDER, FUSE	
103	4-923-520-01	KNOB, POWER (BLACK)	
103	4-923-520-41	KNOB, POWER (GOLD)	
104	* 1-637-416-11	AC BOARD	
105	* 4-942-524-01	COVER (POWER)	
106	3-531-576-11	RIVET	
107	3-655-653-21	BAND (TAITON), BINDING	
108	* 4-888-798-00	BUSHING, RUBBER	
109	4-928-032-01	COLLAR (A)	
110	* A-4617-752-A	POWER BOARD, COMPLETE (EXCEPT FOR E)	
110	* A-4617-753-A	POWER BOARD, COMPLETE (E)	
111	* 4-922-525-01	HEAT SINK	
112	* A-4617-601-A	SERVO BOARD, COMPLETE	
113	* 4-363-146-00	HEAT SINK, V. OUT	
114	* 4-923-873-01	BRACKET, CORD STOPPER (BLACK)	
114	* 4-923-873-11	BRACKET, CORD STOPPER (GOLD)	
115	* 3-703-244-00	BUSHING (2104), CORD	
116	3-703-685-21	SCREW (+BV 3X8)	
117	* 4-941-633-31	PANEL, BACK (AEP) (BLACK)	
117	* 4-941-638-11	PANEL, BACK (GOLD)	
117	4-941-633-12	PANEL, BACK (US)	
117	4-941-633-22	PANEL, BACK (Canadian)	
117	4-941-633-41	PANEL, BACK (UK, AUS)	
117	4-941-633-52	PANEL, BACK (E)	



Ref. No.	Part No.	Description	Remark
118	* A-4617-946-A	AUDIO BOARD, COMPLETE	
119	* 1-637-418-11	LINE OUT BOARD	
120	* 1-637-417-11	OPT BOARD	
121	 1-555-795-00	CORD, POWER (AEP)	
122	3-575-524-00	COVER, POWER SWITCH	
123	* 3-701-948-10	LABEL (T400MA), FUSE (AEP, UK, AUS)	
123	3-701-946-22	LABEL (1.6A 125V), FUSE (US, Canadian)	
123	3-701-947-10	LABEL (T800MA), FUSE (E)	
124	* 3-846-311-00	SPACER (D)	
125	 1-557-577-11	CORD, POWER (US, Canadian)	
126	 1-556-035-00	CORD, POWER (UK)	
127	 1-555-386-00	CORD, POWER (E)	
128	 1-575-379-11	CORD, POWER (AUS)	
129	3-831-441-XX	CUSHION	
130	* 4-941-548-01	LABEL, CLASS 1 (EXCEPT FOR US, Canadian)	
F991	 1-532-066-00	FUSE, TIME-LAG (0.4A) (AEP, UK, AUS)	
F991	 1-532-215-00	FUSE, TIME LAG (0.8A) (E)	
F991	 1-523-742-11	FUSE, GLASS TUBE (1.6A) (US, Canadian)	
S991	 1-570-156-11	SWITCH, PUSH (AC POWER) (1 KEY)	
T901	 1-450-521-11	TRANSFORMER, POWER (AEP, UK, AUS)	
T901	 1-450-025-21	TRANSFORMER, POWER (US, Canadian)	
T901	 1-450-028-21	TRANSFORMER, POWER (E)	
T902	 1-450-522-11	TRANSFORMER, POWER (AEP, UK, AUS)	
T902	 1-450-024-21	TRANSFORMER, POWER (US, Canadian)	
VS901	 1-526-576-51	SELECTOR, POWER VOLTAGE (VOLTAGE SELECTOR) (E)	


4-4. CD MECHANISM BLOCK
(CDM11H-6C): (BLACK)
(CDM11I-6C) : (GOLD)

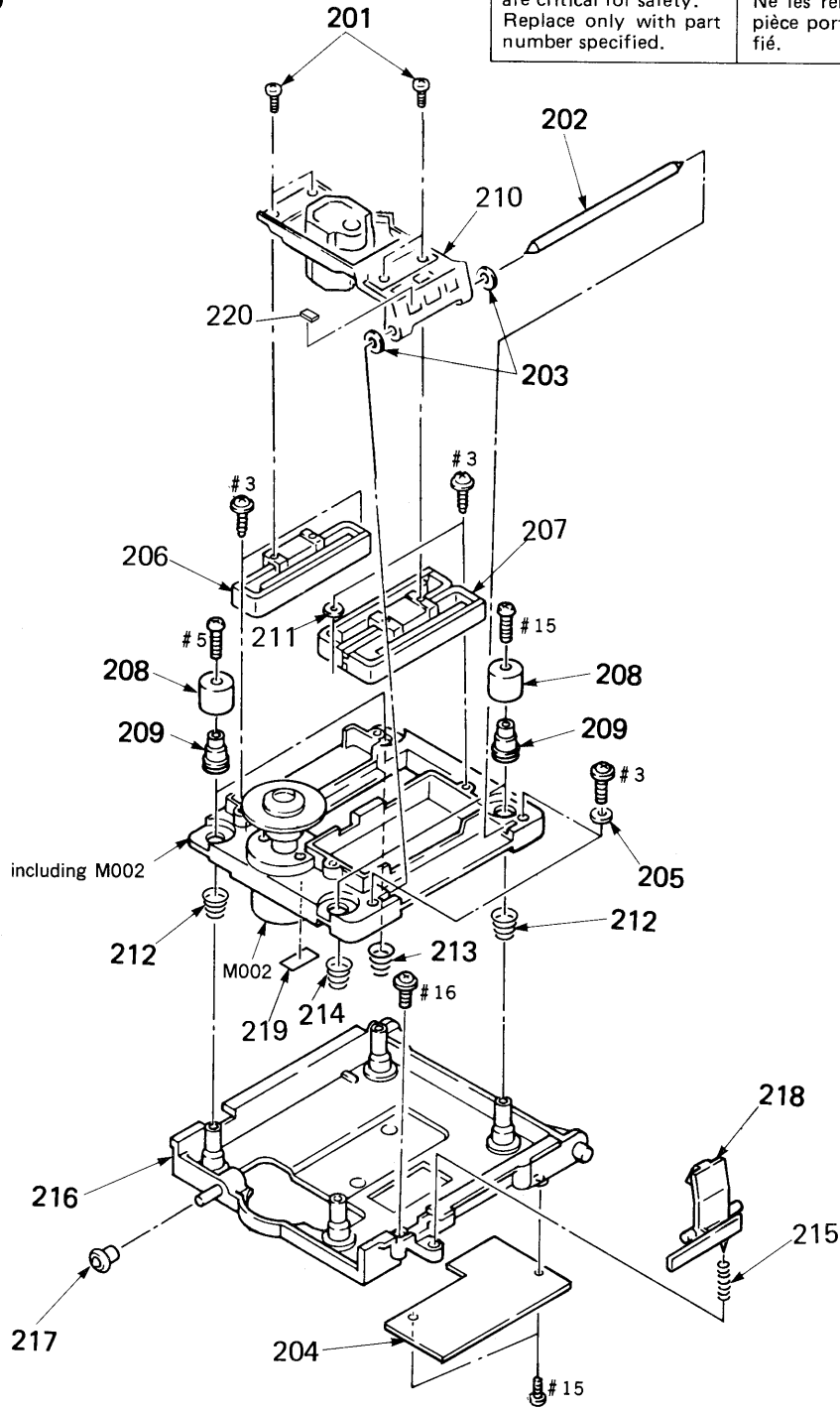



Ref. No.	Part No.	Description	Remark	Ref. No.	Part No.	Description	Remark
151	* 1-632-974-11	SWITCH BOARD		162	X-4927-608-1	ARM ASSY, SWING	
152	3-831-441-XX	CUSHION		163	4-929-724-01	PULLEY (B)	
153	* 4-927-642-11	TABLE (EXL), DISK (GOLD)		164	4-927-649-01	BELT	
153	* 4-927-642-01	TABLE (EXL), DISK (BLACK)		165	4-927-617-01	BAR, GUIDE	
154	A-4665-024-A	MAGNET ASSY		166	* 4-917-583-21	BRACKET, YOKE	
155	* 4-927-638-03	HOLDER (A, P)		167	4-927-654-01	WASHER (LIMITER)	
156	* 1-632-975-11	L. MOTOR BOARD		168	4-927-627-01	ROLLER (S, G)	
157	* 4-918-679-04	PULLEY, PRESS		169	4-927-624-01	CAM (L, A)	
158	* 4-927-648-01	SLIDER (GROUND)		170	4-927-665-01	SHAFT (S)	
159	4-927-620-01	GEAR (P)		171	4-927-635-01	CAM (L, B)	
160	4-927-628-01	GEAR (C)		172	3-659-338-00	SPRING, COMPRESSION	
161	* 4-927-670-01	CUSHION (MD)		M001	A-4604-347-A	MOTOR (L) ASSY	

4-5. BASE UNIT (BU-6C)

Note:
The components identified by mark  or dotted line with mark  are critical for safety. Replace only with part number specified.

Note:
Les composants identifiés par une marque  sont critiques pour la sécurité. Ne les remplacer que par une pièce portant le numéro spécifié.



Ref. No.	Part No.	Description	Remark	Ref. No.	Part No.	Description	Remark
201	3-318-203-61	SCREW (B1. 7X4). TAPPING		212	4-917-572-01	SPRING (B)	
202	* 4-910-431-01	SHAFT, SLIDE		213	4-917-571-01	SPRING (A)	
203	* 4-917-582-01	CUSHION, SLIDE		214	4-917-573-01	SPRING (E)	
204	* 1-632-973-11	TRANSLATION BOARD		215	3-305-423-00	SPRING, COMPRESSION	
205	4-927-318-01	WASHER		216	* 4-927-637-01	HOLDER (BU-6)	
206	A-4638-084-A	SENSOR ASSY, SPEED		217	4-927-631-01	ROLLER (L)	
207	A-4608-335-A	MOTOR ASSY, LINEAR		218	4-927-626-01	LEVER (L)	
208	4-927-634-01	HOLDER (SP)		219	3-831-441-XX	CUSHION	
209	* 4-917-584-11	INSULATOR		220	4-922-694-01	CUSHION	
210	 8-848-209-11	DEVICE, OPTICAL KSS-271A		M002	X-4927-605-3	BASE ASSY, MECHANICAL (SPINDLE MOTOR)	
211	4-927-669-01	WASHER (BU)					

SECTION 5 ELECTRICAL PARTS LIST

AC

AUDIO

NOTE:

- Due to standardization, replacements in the parts list may be different from the parts specified in the diagrams or the components used on the set.
- Items marked "*" are not stocked since they are seldom required for routine service. Some delay should be anticipated when ordering these items.
- -XX, -X mean standardized parts, so they may have some differences from the original one.
- CAPACITORS
uF: μF

- RESISTORS
All resistors are in ohms
METAL: Metal-film resistor
METAL OXIDE: Metal Oxide-film resistor
F: nonflammable
- COILS
uH: μH
- SEMICONDUCTORS
In each case, u: μ, for example:
uA...: μA..., uPA...: μPA...,
uPB...: μPB..., uPC...: μPC...,
uPD...: μPD...
- CND: canadian model
- AUS: Australian model

The components identified by mark or dotted line with mark are critical for safety. Replace only with part number specified.

Les composants identifiés par une marque sont critiques pour la sécurité. Ne les remplacer que par une pièce portant le numéro spécifié.

When indicating parts by reference number, please include the board name.

Ref. No.	Part No.	Description	Remark	Ref. No.	Part No.	Description	Remark
	* 1-637-416-11	AC BOARD *****		C401	1-130-495-00	MYLAR 0.1uF 5%	50V
	1-533-183-11	HOLDER, FUSE		C402	1-130-495-00	MYLAR 0.1uF 5%	50V
		< CAPACITOR >		C403	1-124-122-11	ELECT 100uF 20%	50V
C991	1-161-744-00	CERAMIC 0.01uF	400V	C404	1-130-495-00	MYLAR 0.1uF 5%	50V
C993	1-161-744-00	CERAMIC 0.01uF	400V (US, CND)	C405	1-136-808-11	FILM 100PF 5%	100V
		< CONNECTOR >		C406	1-136-811-11	FILM 330PF 5%	100V
CN991	* 1-535-140-00	BASE POST 22MM (10MM PITCH) 3P		C407	1-136-811-11	FILM 330PF 5%	100V
CN992	* 1-535-140-00	BASE POST 22MM (10MM PITCH) 3P		C408	1-136-192-11	FILM 0.0018uF 2%	100V
CN993	1-535-139-00	BASE POST 22MM (10MM PITCH) 2P		C409	1-107-210-00	MICA 22PF 5%	500V
		< TERMINAL >		C410	1-136-192-11	FILM 0.0018uF 2%	100V
TN991	* 1-535-771-11	TERMINAL		C411	1-136-192-11	FILM 0.0018uF 2%	100V
TN992	* 1-535-771-11	TERMINAL		C414	1-124-572-11	ELECT 100uF 20%	63V
*****				C415	1-136-580-11	FILM 0.47uF 10%	200V
	* A-4617-946-A	AUDIO BOARD, COMPLETE *****		C416	1-162-806-11	CERAMIC 0.1uF 10%	50V
	* 1-569-135-11	BAR, BUS 4P		C417	1-124-122-11	ELECT 100uF 20%	50V
	7-682-147-15	SCREW, TR		C418	1-126-066-11	ELECT 470uF 20%	63V
	* 4-363-146-00	HEAT SINK, V. OUT		C419	1-124-130-00	ELECT 100uF 20%	63V
		< CAPACITOR >		C422	1-136-165-00	FILM 0.1uF 5%	50V
C207	1-162-306-11	CERAMIC 0.01uF	20% 16V	C423	1-130-495-00	MYLAR 0.1uF 5%	50V
C208	1-136-165-00	FILM 0.1uF	5% 50V	C424	1-104-262-00	POLYSTYRENE 10PF 10%	125V
C209	1-126-011-11	ELECT 330uF	20% 16V	C425	1-104-262-00	POLYSTYRENE 10PF 10%	125V
C211	1-136-165-00	FILM 0.1uF	5% 50V	C426	1-124-130-00	ELECT 100uF 20%	63V
C221	1-162-294-31	CERAMIC 0.001uF	10% 50V	C427	1-136-811-11	FILM 330PF 5%	100V
				C428	1-136-811-11	FILM 330PF 5%	100V
				C429	1-106-351-00	MYLAR 2200PF 5%	200V
				C430	1-106-351-00	MYLAR 2200PF 5%	200V
				C431	1-136-763-11	FILM 1uF 10%	100V
				C432	1-124-130-00	ELECT 100uF 20%	63V
				C433	1-107-210-00	MICA 22PF 5%	500V
				C434	1-124-922-11	ELECT 1000uF 20%	63V
				C435	1-130-495-00	MYLAR 0.1uF 5%	50V
				C441	1-130-495-00	MYLAR 0.1uF 5%	50V
				C442	1-130-495-00	MYLAR 0.1uF 5%	50V
				C443	1-124-122-11	ELECT 100uF 20%	50V

AUDIO

Ref. No.	Part No.	Description	Remark		
C444	1-130-495-00	MYLAR	0.1uF	5%	50V
C445	1-136-808-11	FILM	100PF	5%	100V
C447	1-126-049-11	ELECT	22uF	20%	25V
C448	1-126-059-11	ELECT	10uF	20%	50V
C449	1-124-910-11	ELECT	47uF	20%	50V
C451	1-123-343-00	ELECT	33uF	20%	35V
C452	1-126-335-11	ELECT	220uF	20%	10V
C471	1-130-495-00	MYLAR	0.1uF	5%	50V
C480	1-136-165-00	FILM	0.1uF	5%	50V
C481	1-126-059-11	ELECT	330uF	20%	25V
C482	1-136-165-00	FILM	0.1uF	5%	50V
C483	1-124-122-11	ELECT	100uF	20%	50V
C484	1-124-122-11	ELECT	100uF	20%	50V
C485	1-136-165-00	FILM	0.1uF	5%	50V
C490	1-126-011-11	ELECT	330uF	20%	16V
C501	1-130-495-00	MYLAR	0.1uF	5%	50V
C502	1-130-495-00	MYLAR	0.1uF	5%	50V
C503	1-124-122-11	ELECT	100uF	20%	50V
C504	1-130-495-00	MYLAR	0.1uF	5%	50V
C505	1-136-808-11	FILM	100PF	5%	100V
C506	1-136-811-11	FILM	330PF	5%	100V
C507	1-136-811-11	FILM	330PF	5%	100V
C508	1-136-192-11	FILM	0.0018uF	2%	100V
C509	1-107-210-00	MICA	22PF	5%	500V
C510	1-136-192-11	FILM	0.0018uF	2%	100V
C511	1-136-192-11	FILM	0.0018uF	2%	100V
C512	1-162-806-11	CERAMIC	0.1uF	10%	50V
C513	1-162-806-11	CERAMIC	0.1uF	10%	50V
C514	1-124-572-11	ELECT	100uF	20%	63V
C515	1-136-580-11	FILM	0.47uF	10%	200V
C525	1-136-811-11	FILM	330PF	5%	100V
C526	1-136-811-11	FILM	330PF	5%	100V
C531	1-136-763-11	FILM	1uF	10%	100V
C532	1-124-130-00	ELECT	100uF	20%	63V
C533	1-107-210-00	MICA	22PF	5%	500V
C534	1-124-922-11	ELECT	1000uF	20%	63V
C541	1-130-495-00	MYLAR	0.1uF	5%	50V
C542	1-130-495-00	MYLAR	0.1uF	5%	50V
C543	1-124-122-11	ELECT	100uF	20%	50V
C545	1-136-808-11	FILM	100PF	5%	100V
C546	1-124-122-11	ELECT	100uF	20%	50V
C547	1-124-122-11	ELECT	100uF	20%	50V
C548	1-162-806-11	CERAMIC	0.1uF	10%	50V
C551	1-123-343-00	ELECT	33uF	20%	35V
C552	1-126-335-11	ELECT	220uF	20%	10V
C554	1-130-495-00	MYLAR	0.1uF	5%	50V
C571	1-130-495-00	MYLAR	0.1uF	5%	50V
C581	1-124-122-11	ELECT	100uF	20%	50V
C582	1-126-059-11	ELECT	330uF	20%	25V

Ref. No.	Part No.	Description	Remark		
C583	1-136-165-00	FILM	0.1uF	5%	50V
C941	1-123-380-00	ELECT	1uF	20%	50V
C942	1-126-059-11	ELECT	10uF	20%	50V

< CONNECTOR >

CN203	* 1-564-710-11	PIN, CONNECTOR (SMALL TYPE) 8P
CN204	* 1-564-708-11	PIN, CONNECTOR (SMALL TYPE) 6P
CN401	* 1-564-505-11	PLUG, CONNECTOR 2P
CN402	* 1-564-505-11	PLUG, CONNECTOR 2P
CN403	* 1-564-506-11	PLUG, CONNECTOR 3P
CN450	* 1-564-506-11	PLUG, CONNECTOR 3P
CN451	* 1-564-507-11	PLUG, CONNECTOR 4P
CN452	* 1-535-116-00	TERMINAL
CN501	* 1-564-505-11	PLUG, CONNECTOR 2P
CN502	* 1-564-505-11	PLUG, CONNECTOR 2P
CN503	* 1-564-506-11	PLUG, CONNECTOR 3P
CN931	* 1-564-505-11	PLUG, CONNECTOR 2P

< DIODE >

D401	8-719-200-31	DIODE	21DQ05
D403	8-719-114-26	DIODE	RD4.7JSB2
D404	8-719-114-30	DIODE	RD5.1JSB2
D405	8-719-114-30	DIODE	RD5.1JSB2
D421	8-719-912-20	DIODE	1SS120
D422	8-719-912-20	DIODE	1SS120
D432	8-719-902-87	DIODE	EQB01-08Q
D451	8-719-200-31	DIODE	21DQ05
D471	8-719-912-20	DIODE	1SS120
D472	8-719-933-47	DIODE	HZS7B2L
D532	8-719-902-87	DIODE	EQB01-08Q
D571	8-719-912-20	DIODE	1SS120
D572	8-719-933-47	DIODE	HZS7B2L
D941	8-719-109-81	DIODE	RD4.7ES-B2

< IC >

IC202	8-752-328-61	IC	CXD1244S
IC203	8-752-339-86	IC	CXD2557M
IC401	8-752-335-52	IC	CXD2552Q-2
IC402	8-759-917-18	IC	SN74HCU04AN
IC403	8-759-917-18	IC	SN74HCU04AN
IC405	8-759-900-72	IC	NE5532P
IC406	8-759-900-72	IC	NE5532P
IC407	8-759-900-72	IC	NE5532P
IC408	8-759-900-72	IC	NE5532P
IC501	8-752-335-52	IC	CXD2552Q-2
IC506	8-759-900-72	IC	NE5532P
IC507	8-759-900-72	IC	NE5532P
IC508	8-759-900-72	IC	NE5532P
IC551	8-759-981-85	IC	RC4556D

AUDIO

Ref. No.	Part No.	Description	Remark	Ref. No.	Part No.	Description	Remark
< COIL >							
L401	1-410-509-11	INDUCTOR 10uH		R410	1-247-721-11	CARBON 4.7K 5%	1/4W
L402	1-410-509-11	INDUCTOR 10uH		R411	1-247-721-11	CARBON 4.7K 5%	1/4W
L403	1-410-509-11	INDUCTOR 10uH		R412	1-247-721-11	CARBON 4.7K 5%	1/4W
L404	1-410-521-11	INDUCTOR 100uH		R413	1-247-721-11	CARBON 4.7K 5%	1/4W
L405	1-410-397-21	FERRITE BEAD INDUCTOR		R414	1-249-929-11	CARBON 1.8K 1%	1/4W
< TRANSISTOR >							
Q401	8-729-201-05	TRANSISTOR 2SC2878-B		R415	1-249-929-11	CARBON 1.8K 1%	1/4W
Q402	8-729-194-13	TRANSISTOR 2SC1941-KA		R416	1-249-929-11	CARBON 1.8K 1%	1/4W
Q403	8-729-620-23	TRANSISTOR 2SC3246-JK		R417	1-249-929-11	CARBON 1.8K 1%	1/4W
Q430	8-729-200-56	TRANSISTOR 2SK241-GR		R418	1-247-891-00	CARBON 330K 5%	1/4W
Q431	8-729-803-76	TRANSISTOR 2SC1371-E		R419	1-247-700-11	CARBON 100 5%	1/4W
Q432	8-729-190-53	TRANSISTOR 2SA985A-P		R420	1-249-512-11	CARBON 22 5%	1/4W
Q433	8-729-194-13	TRANSISTOR 2SC1941-KA		R421	1-249-413-11	CARBON 470 5%	1/4W
Q434	8-729-803-76	TRANSISTOR 2SA1371-E		R422	1-249-413-11	CARBON 470 5%	1/4W
Q451	8-729-107-XX	TRANSISTOR 2SC3622A-K		R423	1-249-429-11	CARBON 10K 5%	1/4W
Q472	8-729-900-61	TRANSISTOR DTA114ES		R424	1-247-903-00	CARBON 1M 5%	1/4W
Q501	8-729-201-05	TRANSISTOR 2SC2878-B		R425	1-249-413-11	CARBON 470 5%	1/4W
Q530	8-729-200-56	TRANSISTOR 2SK241-GR		R426	1-249-429-11	CARBON 10K 5%	1/4W
Q531	8-729-194-13	TRANSISTOR 2SC1941-KA		R431	1-249-633-11	CARBON 22 5%	1/2W
Q532	8-729-107-53	TRANSISTOR 2SC2275A-P		R432	1-247-749-11	CARBON 560 5%	1/2W
Q533	8-729-803-76	TRANSISTOR 2SA1371-E		R433	1-247-719-11	CARBON 3.3K 5%	1/4W
Q534	8-729-194-13	TRANSISTOR 2SC1941-KA		R434	1-249-844-11	CARBON 56K 5%	1/2W
Q551	8-729-107-XX	TRANSISTOR 2SC3622A-K		R435	1-249-792-11	CARBON 390 5%	1/2W
Q572	8-729-900-61	TRANSISTOR DTA114ES		R436	1-247-751-11	CARBON 820 5%	1/2W
Q931	8-729-900-89	TRANSISTOR DTC144ES		R441	1-249-947-11	CARBON 10K 1%	1/4W
Q932	8-729-900-89	TRANSISTOR DTC144ES		R442	1-249-947-11	CARBON 10K 1%	1/4W
Q933	8-729-115-28	TRANSISTOR BN1L3Z-K		R449	1-259-428-11	CARBON 1K 5%	1/6W
Q941	8-729-900-61	TRANSISTOR DTA114ES		R451	1-247-700-11	CARBON 100 5%	1/4W
< RESISTOR >							
R212	1-259-428-11	CARBON 1K 5%	1/6W	R455	1-259-436-11	CARBON 2.2K 5%	1/6W
R213	1-249-413-11	CARBON 470 5%	1/4W	R456	1-259-462-11	CARBON 27K 5%	1/6W
R214	1-249-413-11	CARBON 470 5%	1/4W	R458	1-247-700-11	CARBON 100 5%	1/4W
R215	1-249-413-11	CARBON 470 5%	1/4W	R461	1-247-719-11	CARBON 3.3K 5%	1/4W
R216	1-249-413-11	CARBON 470 5%	1/4W	R462	1-249-556-11	CARBON 1.5K 5%	1/4W
R217	1-259-428-11	CARBON 1K 5%	1/6W	R472	1-249-439-11	CARBON 68K 5%	1/4W
R401	1-249-947-11	CARBON 10K 1%	1/4W	R473	1-249-435-11	CARBON 33K 5%	1/4W
R402	1-249-947-11	CARBON 10K 1%	1/4W	R474	1-249-432-11	CARBON 18K 5%	1/4W
R403	1-249-951-11	CARBON 15K 1%	1/4W	R501	1-249-947-11	CARBON 10K 1%	1/4W
R404	1-249-951-11	CARBON 15K 1%	1/4W	R502	1-249-947-11	CARBON 10K 1%	1/4W
R405	1-249-951-11	CARBON 15K 1%	1/4W	R503	1-249-951-11	CARBON 15K 1%	1/4W
R406	1-249-951-11	CARBON 15K 1%	1/4W	R504	1-249-951-11	CARBON 15K 1%	1/4W
R407	1-249-943-11	CARBON 6.8K 1%	1/4W	R505	1-249-951-11	CARBON 15K 1%	1/4W
R408	1-249-943-11	CARBON 6.8K 1%	1/4W	R506	1-249-951-11	CARBON 15K 1%	1/4W
R409	1-247-700-11	CARBON 100 5%	1/4W	R507	1-249-943-11	CARBON 6.8K 1%	1/4W
				R508	1-249-943-11	CARBON 6.8K 1%	1/4W
				R509	1-247-700-11	CARBON 100 5%	1/4W
				R510	1-247-721-11	CARBON 4.7K 5%	1/4W
				R511	1-247-721-11	CARBON 4.7K 5%	1/4W

AUDIO

DISPLAY

FUNCTION

TIMER

Ref.No.	Part No.	Description	Remark		
R512	1-247-721-11	CARBON	4.7K	5%	1/4W
R513	1-247-721-11	CARBON	4.7K	5%	1/4W
R514	1-249-929-11	CARBON	1.8K	1%	1/4W
R515	1-249-929-11	CARBON	1.8K	1%	1/4W
R516	1-249-929-11	CARBON	1.8K	1%	1/4W
R517	1-249-929-11	CARBON	1.8K	1%	1/4W
R518	1-247-891-00	CARBON	330K	5%	1/4W
R519	1-247-700-11	CARBON	100	5%	1/4W
R520	1-249-512-11	CARBON	22	5%	1/4W
R521	1-247-719-11	CARBON	3.3K	5%	1/4W
R522	1-249-947-11	CARBON	10K	1%	1/4W
R531	1-249-633-11	CARBON	22	5%	1/2W
R532	1-247-749-11	CARBON	560	5%	1/2W
R533	1-247-719-11	CARBON	3.3K	5%	1/4W
R534	1-249-844-11	CARBON	56K	5%	1/2W
R535	1-249-792-11	CARBON	390	5%	1/2W
R536	1-247-751-11	CARBON	820	5%	1/2W
R541	1-249-947-11	CARBON	10K	1%	1/4W
R542	1-249-947-11	CARBON	10K	1%	1/4W
R551	1-247-700-11	CARBON	100	5%	1/4W
R552	1-259-476-11	CARBON	100K	5%	1/6W
R553	1-259-462-11	CARBON	27K	5%	1/6W
R554	1-259-398-11	CARBON	56	5%	1/6W
R555	1-259-436-11	CARBON	2.2K	5%	1/6W
R556	1-259-462-11	CARBON	27K	5%	1/6W
R561	1-247-719-11	CARBON	3.3K	5%	1/4W
R562	1-249-556-11	CARBON	1.5K	5%	1/4W
R572	1-249-439-11	CARBON	68K	5%	1/4W
R573	1-249-435-11	CARBON	33K	5%	1/4W
R574	1-249-432-11	CARBON	18K	5%	1/4W
R931	1-249-441-11	CARBON	100K	5%	1/4W
R941	1-249-441-11	CARBON	100K	5%	1/4W
R942	1-249-429-11	CARBON	10K	5%	1/4W
R943	1-259-428-11	CARBON	1K	5%	1/6W

< THERMISTOR >

TH401 1-806-882-11 THERMISTOR (POSITIVE)

< CRYSTAL >

X401 1-577-686-11 VIBRATOR, CRYSTAL (45MHz)
 X402 1-577-685-11 FILTER, CRYSTAL (16MHz)

Ref.No.	Part No.	Description	Remark		
* 1-637-410-11		DISPLAY BOARD	*****		
* 1-637-409-11		FUNCTION BOARD	*****		
* 1-637-411-11		TIMER BOARD	*****		
* 4-923-532-21		SPACER, LED			
* 4-928-052-01		HOLDER (RIGHT)			
* 4-928-053-01		HOLDER (LEFT)			
< CAPACITOR >					
C802	1-164-159-11	CERAMIC	0.1uF		50V
C803	1-164-159-11	CERAMIC	0.1uF		50V
< CONNECTOR >					
CN801	* 1-564-341-11	PIN, CONNECTOR	7P		
CN802	* 1-506-503-11	PIN, CONNECTOR	9P		
CN803	* 1-564-340-00	PIN, CONNECTOR	6P		
< DIODE >					
D701	8-719-970-07	DIODE	MPG3371X-150		
D702	8-719-971-52	DIODE	MAY3371X-M-177		
D703	8-719-971-50	DIODE	MBG3371X-177		
D704	8-719-971-52	DIODE	MAY3371X-M-177		
D705	8-719-987-97	DIODE	BR3371X		
D706	8-719-970-98	DIODE	MPY3371X-177		
D801	8-719-107-94	DIODE	1SS202-1		
D802	8-719-107-94	DIODE	1SS202-1		
D803	8-719-107-94	DIODE	1SS202-1		
D804	8-719-107-94	DIODE	1SS202-1		
D805	8-719-107-94	DIODE	1SS202-1		
D806	8-719-107-94	DIODE	1SS202-1		
D807	8-719-107-94	DIODE	1SS202-1		
< FILTER >					
FLD801	1-519-622-11	INDICATOR TUBE, FLUORESCENT			
< IC >					
IC801	8-759-505-50	IC	MSC62408-015GS-V1K		
IC802	8-741-100-48	IC	SBX1610-59		
< TRANSISTOR >					
Q701	8-729-900-80	TRANSISTOR	DTC114ES		
Q702	8-729-900-80	TRANSISTOR	DTC114ES		
Q703	8-729-900-80	TRANSISTOR	DTC114ES		
Q704	8-729-900-80	TRANSISTOR	DTC114ES		
Q705	8-729-900-80	TRANSISTOR	DTC114ES		

DISPLAY

FUNCTION

TIMER

HP

L. MOTOR

LINE OUT

M. VR

Ref. No.	Part No.	Description	Remark
Q706	8-729-900-80	TRANSISTOR DTC114ES	
Q801	8-729-900-45	TRANSISTOR DTC114EF	
Q802	8-729-900-45	TRANSISTOR DTC114EF	
< RESISTOR >			
R701	1-249-406-11	CARBON 120 5% 1/4W	
R702	1-249-406-11	CARBON 120 5% 1/4W	
R703	1-249-406-11	CARBON 120 5% 1/4W	
R704	1-249-406-11	CARBON 120 5% 1/4W	
R705	1-249-417-11	CARBON 1K 5% 1/4W	
R706	1-249-409-11	CARBON 220 5% 1/4W	
R801	1-249-425-11	CARBON 4.7K 5% 1/4W	
R802	1-249-429-11	CARBON 10K 5% 1/4W	
R803	1-247-903-00	CARBON 1M 5% 1/4W	
R806	1-249-441-11	CARBON 100K 5% 1/4W	
R809	1-249-441-11	CARBON 100K 5% 1/4W	
< SWITCH >			
S701	1-554-937-11	SWITCH, KEY BOARD (CONTINUE)	
S702	1-554-937-11	SWITCH, KEY BOARD (SHUFFLE)	
S703	1-554-937-11	SWITCH, KEY BOARD (PROGRAM)	
S704	1-554-937-11	SWITCH, KEY BOARD (C. INDEX)	
S705	1-554-937-11	SWITCH, KEY BOARD (<<)	
S706	1-554-937-11	SWITCH, KEY BOARD ()	
S707	1-554-937-11	SWITCH, KEY BOARD (>)	
S708	1-554-937-11	SWITCH, KEY BOARD (P. SEARCH)	
S709	1-554-937-11	SWITCH, KEY BOARD (>>)	
S710	1-554-937-11	SWITCH, KEY BOARD (■)	
S711	1-554-937-11	SWITCH, KEY BOARD (REPEAT)	
S712	1-554-937-11	SWITCH, KEY BOARD (<<)	
S713	1-554-937-11	SWITCH, KEY BOARD (FILE)	
S714	1-554-937-11	SWITCH, KEY BOARD (TIME/MEMO)	
S715	1-554-937-11	SWITCH, KEY BOARD (>>)	
S716	1-554-937-11	SWITCH, KEY BOARD (ERASE)	
S717	1-554-937-11	SWITCH, KEY BOARD (FILE RECALL)	
S718	1-554-937-11	SWITCH, KEY BOARD (DISPLAY MODE)	
S719	1-554-937-11	SWITCH, KEY BOARD (EDIT/TIME FADE)	
S801	1-554-937-11	SWITCH, KEY BOARD (OPEN/CLOSE)	
S802	1-554-937-11	SWITCH, KEY BOARD (LEVEL FILE)	
S804	1-570-157-51	SWITCH, SLIDE (TIMER)	
< CRYSTAL >			
X801	1-577-359-21	VIBRATOR, CERAMIC (4.19MHz)	

Ref. No.	Part No.	Description	Remark
* 1-637-413-11 HP BOARD			

< CAPACITOR >			
C461	1-162-290-31	CERAMIC 470PF 10% 50V	
C561	1-162-290-31	CERAMIC 470PF 10% 50V	
< JACK >			
J451	1-568-519-31	JACK, LARGE TYPE (PHONES) (BLACK)	
J451	1-568-519-61	JACK, LARGE TYPE (PHONES) (GOLD)	

* 1-632-975-11 L. MOTOR BOARD			

< CAPACITOR >			
C001	1-136-157-00	FILM 0.022uF 5% 50V	

* 1-637-418-11 LINE OUT BOARD			

< DIODE >			
D491	8-719-107-94	DIODE 1SS202-1	
< JACK >			
J401	1-568-101-11	JACK, PIN 4P (LINE OUT)	
< RESISTOR >			
R491	1-247-700-11	CARBON 100 5% 1/4W	
R591	1-247-700-11	CARBON 100 5% 1/4W	
< RERAY >			
RY401	1-515-727-11	RELAY	

* 1-637-412-11 M. VR BOARD			

< VARIABLE RESISTOR >			
RV461	1-241-321-11	RES, VAR, CARBON 10KX3 (LINE OUT PHONE LEVEL)	

OPT **POWER** **SERVO**

Ref.No.	Part No.	Description	Remark
	* 1-637-417-11	OPT BOARD *****	
		< CAPACITOR >	
C280	1-126-059-11	ELECT 10uF 20% 50V	
		< IC >	
IC204	8-749-921-12	IC GP1F32T	

	* A-4617-752-A	POWER BOARD, COMPLETE (EXCEPT E) *****	
	* A-4617-753-A	POWER BOARD, COMPLETE (E) *****	
	* 1-569-135-11	BAR, BUS 4P	
		< CAPACITOR >	
C901	1-136-177-00	FILM 1uF 5% 50V	
C902	1-130-483-00	MYLAR 0.01uF 5% 50V	
C903	1-124-523-11	ELECT 4700uF 20% 16V	
C904	1-124-523-11	ELECT 4700uF 20% 16V	
C905	1-136-165-00	FILM 0.1uF 5% 50V	
C906	1-130-483-00	MYLAR 0.01uF 5% 50V	
C907	1-130-483-00	MYLAR 0.01uF 5% 50V	
C908	1-136-177-00	FILM 1uF 5% 50V	
C909	1-130-483-00	MYLAR 0.01uF 5% 50V	
C910	1-126-982-11	ELECT 5600uF 20% 35V	
C911	1-126-982-11	ELECT 5600uF 20% 35V	
C912	1-126-233-11	ELECT 22uF 20% 50V	
C913	1-124-572-11	ELECT 100uF 20% 63V	
C914	1-124-572-11	ELECT 100uF 20% 63V	
C915	1-124-910-11	ELECT 47uF 20% 50V	
C916	1-130-495-00	MYLAR 0.1uF 5% 50V	
C917	1-130-483-00	MYLAR 0.01uF 5% 50V	
C918	1-130-483-00	MYLAR 0.01uF 5% 50V	
		< CONNECTOR >	
CN901	* 1-535-123-00	TERMINAL (WITH BASE) 10P	
		< DIODE >	
D901	8-719-937-49	DIODE RDF02M	
D902	8-719-200-89	DIODE 31DF2-FA	
D903	8-719-200-89	DIODE 31DF2-FA	
D904	8-719-200-89	DIODE 31DF2-FA	
D905	8-719-200-89	DIODE 31DF2-FA	
D911	8-719-200-82	DIODE 11ES2	
D914	8-719-913-62	DIODE HZ36-2L	

Ref.No.	Part No.	Description	Remark
D915	8-719-933-48	DIODE HZS783L	
D922	8-719-912-20	DIODE 1SS120	
D923	8-719-912-20	DIODE 1SS120	
		< COIL >	
L914	1-410-521-11	INDUCTOR 100uH	
		< TRANSISTOR >	
Q911	8-729-140-96	TRANSISTOR 2SD774-34	
		< RESISTOR >	
R901	▲ 1-212-871-11	FUSIBLE 39 5% 1/4W F	
R902	▲ 1-212-877-11	FUSIBLE 68 5% 1/4W F	
R911	1-249-425-11	CARBON 4.7K 5% 1/4W	
R912	1-249-429-11	CARBON 10K 5% 1/4W	
R913	1-249-433-11	CARBON 22K 5% 1/4W	
		< THERMISTOR >	
TH901	1-808-065-11	THERMISTOR, POSITIVE	
TH902	1-808-065-11	THERMISTOR, POSITIVE	
TH903	1-806-882-11	THERMISTOR (POSITIVE)	
TH904	1-808-065-11	THERMISTOR, POSITIVE	
TH905	1-808-065-11	THERMISTOR, POSITIVE	

	* A-4617-601-A	SERVO BOARD, COMPLETE *****	
	7-682-147-15	SCREW, TR	
	* 4-363-146-00	HEAT SINK, V. OUT	
	* 4-922-525-01	HEAT SINK	
		< CAPACITOR >	
C101	1-130-480-00	MYLAR 0.0056uF 5% 50V	
C102	1-136-159-00	FILM 0.033uF 5% 50V	
C103	1-136-165-00	FILM 0.1uF 5% 50V	
C104	1-136-165-00	FILM 0.1uF 5% 50V	
C105	1-161-375-00	CERAMIC 0.0022uF 20% 50V	
C106	1-106-351-00	MYLAR 2200PF 5% 200V	
C107	1-136-153-00	FILM 0.01uF 5% 50V	
C108	1-136-153-00	FILM 0.01uF 5% 50V	
C109	1-136-165-00	FILM 0.1uF 5% 50V	
C110	1-136-161-00	FILM 0.047uF 5% 50V	
C111	1-126-059-11	ELECT 10uF 20% 50V	
C112	1-136-165-00	FILM 0.1uF 5% 50V	
C113	1-126-162-11	ELECT 3.3uF 20% 50V	
C114	1-126-049-11	ELECT 22uF 20% 25V	
C115	1-136-153-00	FILM 0.01uF 5% 50V	

Note:
The components identified by mark ▲ or dotted line with mark ▲ are critical for safety. Replace only with part number specified.

Note:
Les composants identifiés par une marque ▲ sont critiques pour la sécurité. Ne les remplacer que par une pièce portant le numéro spécifié.

SERVO

Ref. No.	Part No.	Description			Remark	Ref. No.	Part No.	Description			Remark
C116	1-136-159-00	FILM	0.033uF	5%	50V	C919	1-126-012-11	ELECT	470uF	20%	16V
C118	1-124-442-00	ELECT	330uF	20%	6.3V	C920	1-126-012-11	ELECT	470uF	20%	16V
C119	1-124-442-00	ELECT	330uF	20%	6.3V	C921	1-124-556-11	ELECT	2200uF	20%	16V
C121	1-136-153-00	FILM	0.01uF	5%	50V	C922	1-126-012-11	ELECT	470uF	20%	16V
C122	1-126-300-11	ELECT	0.47uF	20%	50V	C923	1-126-161-11	ELECT	2.2uF	20%	50V
C123	1-130-472-00	MYLAR	0.0012uF	5%	50V	C924	1-126-161-11	ELECT	2.2uF	20%	50V
C124	1-106-359-00	MYLAR	4700PF	5%	200V	C925	1-136-165-00	FILM	0.1uF	5%	50V
C125	1-164-159-11	CERAMIC	0.1uF		50V	C927	1-126-012-11	ELECT	470uF	20%	16V
C127	1-164-159-11	CERAMIC	0.1uF		50V	C929	1-124-122-11	ELECT	100uF	20%	50V
C129	1-136-161-00	FILM	0.047uF	5%	50V	C990	1-125-622-11	CAP, DOUBLE LAYERS	0.10F		
C130	1-136-155-00	FILM	0.015uF	5%	50V			< CONNECTOR >			
C131	1-164-159-11	CERAMIC	0.1uF		50V	CN101	* 1-506-503-11	PIN, CONNECTOR	9P		
C132	1-130-477-00	MYLAR	0.0033uF	5%	50V	CN102	* 1-564-338-00	PIN, CONNECTOR	4P		
C133	1-164-159-11	CERAMIC	0.1uF		50V	CN103	* 1-564-340-00	PIN, CONNECTOR	6P		
C134	1-162-294-31	CERAMIC	0.001uF	10%	50V	CN104	* 1-564-339-00	PIN, CONNECTOR	5P		
C135	1-162-294-31	CERAMIC	0.001uF	10%	50V	CN201	* 1-564-705-11	PIN, CONNECTOR (SMALL TYPE)	3P		
C136	1-164-159-11	CERAMIC	0.1uF		50V	CN202	* 1-564-710-11	PIN, CONNECTOR (SMALL TYPE)	8P		
C137	1-124-478-11	ELECT	100uF	20%	25V	CN301	* 1-564-342-11	PIN, CONNECTOR	8P		
C138	1-124-478-11	ELECT	100uF	20%	25V	CN302	* 1-564-340-00	PIN, CONNECTOR	6P		
C139	1-124-478-11	ELECT	100uF	20%	25V	CN303	* 1-564-708-11	PIN, CONNECTOR (SMALL TYPE)	6P		
C140	1-124-478-11	ELECT	100uF	20%	25V	CN906	* 1-564-507-11	PLUG, CONNECTOR	4P		
C141	1-124-442-00	ELECT	330uF	20%	6.3V	CN907	* 1-564-341-11	PIN, CONNECTOR	7P		
C142	1-124-442-00	ELECT	330uF	20%	6.3V	CN908	* 1-564-506-11	PLUG, CONNECTOR	3P		
C143	1-164-159-11	CERAMIC	0.1uF		50V			< DIODE >			
C144	1-164-159-11	CERAMIC	0.1uF		50V	D906	8-719-107-94	DIODE	1SS202-1		
C145	1-124-478-11	ELECT	100uF	20%	25V	D907	8-719-107-94	DIODE	1SS202-1		
C146	1-124-478-11	ELECT	100uF	20%	25V			< IC >			
C150	1-164-159-11	CERAMIC	0.1uF		50V	IC101	8-752-050-82	IC	CXA1372Q		
C153	1-164-159-11	CERAMIC	0.1uF		50V	IC102	8-759-823-11	IC	LA6523		
C154	1-124-442-00	ELECT	330uF	20%	6.3V	IC103	8-759-823-11	IC	LA6523		
C155	1-161-494-00	CERAMIC	0.022uF		25V	IC104	8-759-823-11	IC	LA6523		
C156	1-161-494-00	CERAMIC	0.022uF		25V	IC201	8-752-337-26	IC	CXD2500AQ		
C157	1-164-159-11	CERAMIC	0.1uF		50V	IC301	8-759-635-51	IC	M37450M8-376FP		
C170	1-161-494-00	CERAMIC	0.022uF		25V	IC302	8-759-822-78	IC	LC3564PML-1015		
C171	1-161-494-00	CERAMIC	0.022uF		25V	IC303	8-759-962-08	IC	BA6208		
C173	1-161-494-00	CERAMIC	0.022uF		25V	IC901	8-759-604-29	IC	M5F7805L		
C174	1-161-494-00	CERAMIC	0.022uF		25V	IC902	8-759-604-47	IC	M5F7905L		
C201	1-106-347-00	MYLAR	1500PF	5%	200V	IC903	8-759-917-18	IC	TC74HCU04AP		
C202	1-136-161-00	FILM	0.047uF	5%	50V			< TRANSISTOR >			
C203	1-136-155-00	FILM	0.015uF	5%	50V	Q101	8-729-900-89	TRANSISTOR	DTC144ES		
C205	1-124-442-00	ELECT	330uF	20%	6.3V	Q301	8-729-900-80	TRANSISTOR	DTC114ES		
C206	1-164-159-11	CERAMIC	0.1uF		50V						
C301	1-124-442-00	ELECT	330uF	20%	6.3V						
C302	1-164-159-11	CERAMIC	0.1uF		50V						
C303	1-136-165-00	FILM	0.1uF	5%	50V						
C304	1-164-159-11	CERAMIC	0.1uF		50V						
C305	1-124-768-11	ELECT	4.7uF	20%	50V						
C310	1-164-159-11	CERAMIC	0.1uF		50V						
C331	1-164-159-11	CERAMIC	0.1uF		50V						

SERVO

Ref. No.	Part No.	Description	Remark
< RESISTOR >			
R101	1-249-429-11	CARBON 10K 5%	1/4W
R102	1-247-887-00	CARBON 220K 5%	1/4W
R103	1-249-429-11	CARBON 10K 5%	1/4W
R104	1-247-882-11	CARBON 130K 5%	1/4W
R105	1-249-440-11	CARBON 82K 5%	1/4W
R106	1-249-440-11	CARBON 82K 5%	1/4W
R107	1-249-431-11	CARBON 15K 5%	1/4W
R108	1-249-429-11	CARBON 10K 5%	1/4W
R109	1-247-896-11	CARBON 510K 5%	1/4W
R110	1-247-886-11	CARBON 200K 5%	1/4W
R112	1-249-429-11	CARBON 10K 5%	1/4W
R113	1-249-441-11	CARBON 100K 5%	1/4W
R114	1-247-854-11	CARBON 9. 1K 5%	1/4W
R115	1-247-854-11	CARBON 9. 1K 5%	1/4W
R116	1-249-393-11	CARBON 10 5%	1/4W
R118	1-249-393-11	CARBON 10 5%	1/4W
R120	1-247-899-11	CARBON 680K 5%	1/4W
R121	1-249-441-11	CARBON 100K 5%	1/4W
R123	1-247-883-00	CARBON 150K 5%	1/4W
R124	1-249-438-11	CARBON 56K 5%	1/4W
R125	1-247-876-11	CARBON 75K 5%	1/4W
R126	1-249-433-11	CARBON 22K 5%	1/4W
R127	1-249-393-11	CARBON 10 5%	1/4W
R128	1-249-441-11	CARBON 100K 5%	1/4W
R129	1-249-441-11	CARBON 100K 5%	1/4W
R130	1-249-441-11	CARBON 100K 5%	1/4W
R131	1-249-441-11	CARBON 100K 5%	1/4W
R132	1-249-393-11	CARBON 10 5%	1/4W
R140	1-249-429-11	CARBON 10K 5%	1/4W
R141	1-249-429-11	CARBON 10K 5%	1/4W
R142	1-249-429-11	CARBON 10K 5%	1/4W
R143	1-249-393-11	CARBON 10 5%	1/4W
R144	1-249-429-11	CARBON 10K 5%	1/4W
R145	1-249-429-11	CARBON 10K 5%	1/4W
R146	1-249-429-11	CARBON 10K 5%	1/4W
R147	1-249-393-11	CARBON 10 5%	1/4W
R148	1-249-429-11	CARBON 10K 5%	1/4W
R149	1-249-393-11	CARBON 10 5%	1/4W
R150	1-249-417-11	CARBON 1K 5%	1/4W
R152	1-249-393-11	CARBON 10 5%	1/4W
R153	1-249-430-11	CARBON 12K 5%	1/4W
R154	1-249-429-11	CARBON 10K 5%	1/4W
R155	1-249-429-11	CARBON 10K 5%	1/4W
R156	1-249-393-11	CARBON 10 5%	1/4W
R170	▲ 1-212-954-11	FUSIBLE 6. 8	5% 1/2W F
R201	1-249-423-11	CARBON 3. 3K 5%	1/4W
R202	1-249-423-11	CARBON 3. 3K 5%	1/4W

Ref. No.	Part No.	Description	Remark
R203	1-249-429-11	CARBON 10K 5%	1/4W
R204	1-249-429-11	CARBON 10K 5%	1/4W
R205	1-249-429-11	CARBON 10K 5%	1/4W
R206	1-249-435-11	CARBON 33K 5%	1/4W
R209	1-249-413-11	CARBON 470 5%	1/4W
R210	1-249-413-11	CARBON 470 5%	1/4W
R211	1-249-413-11	CARBON 470 5%	1/4W
R230	1-249-417-11	CARBON 1K 5%	1/4W
R231	1-249-413-11	CARBON 470 5%	1/4W
R301	1-247-903-00	CARBON 1M 5%	1/4W
R302	1-249-411-11	CARBON 330 5%	1/4W
R303	1-249-429-11	CARBON 10K 5%	1/4W
R304	1-249-429-11	CARBON 10K 5%	1/4W
R305	1-249-429-11	CARBON 10K 5%	1/4W
R306	1-249-429-11	CARBON 10K 5%	1/4W
R308	1-249-429-11	CARBON 10K 5%	1/4W
R309	1-249-429-11	CARBON 10K 5%	1/4W
R310	1-249-429-11	CARBON 10K 5%	1/4W
R311	1-249-429-11	CARBON 10K 5%	1/4W
R312	1-249-429-11	CARBON 10K 5%	1/4W
R313	1-249-417-11	CARBON 1K 5%	1/4W
R314	1-249-429-11	CARBON 10K 5%	1/4W
R315	1-249-429-11	CARBON 10K 5%	1/4W
R316	1-249-417-11	CARBON 1K 5%	1/4W
R317	1-249-429-11	CARBON 10K 5%	1/4W
R318	1-249-411-11	CARBON 330 5%	1/4W
R319	1-249-429-11	CARBON 10K 5%	1/4W
R320	1-249-429-11	CARBON 10K 5%	1/4W
R321	1-249-429-11	CARBON 10K 5%	1/4W
R322	1-249-429-11	CARBON 10K 5%	1/4W
R324	1-249-429-11	CARBON 10K 5%	1/4W
R903	1-249-426-11	CARBON 5. 6K 5%	1/4W
R905	1-247-887-00	CARBON 220K 5%	1/4W
R906	1-249-437-11	CARBON 47K 5%	1/4W
R907	1-247-891-00	CARBON 330K 5%	1/4W

< VARIABLE RESISTOR >

RV201	1-228-994-00	RES. ADJ. METAL 10K
RV202	1-228-994-00	RES. ADJ. METAL 10K

< CERAMIC >

X301	1-577-377-11	VIBRATOR, CERAMIC (10MHz)
------	--------------	---------------------------

Note:
The components identified by mark ▲ or dotted line with mark ▲ are critical for safety. Replace only with part number specified.

Note:
Les composants identifiés par une marque ▲ sont critiques pour la sécurité. Ne les remplacer que par une pièce portant le numéro spécifié.

SWITCH **TRANSLATION**

Ref. No.	Part No.	Description	Remark
	* 1-632-974-11	SWITCH BOARD	
		< RESISTOR >	
R001	△. 1-215-880-00	METAL OXIDE 10 5% 2W F	
R002	△. 1-215-880-00	METAL OXIDE 10 5% 2W F	
		< SWITCH >	
S001	1-571-736-11	SWITCH, LEAF (IN)	
S002	1-571-736-11	SWITCH, LEAF (OUT)	

	* 1-632-973-11	TRANSLATION BOARD	
		< CAPACITOR >	
C051	1-136-157-00	FILM 0.022uF 5% 50V	
C052	1-164-159-11	CERAMIC 0.1uF 50V	
C053	1-164-159-11	CERAMIC 0.1uF 50V	
		< CONNECTOR >	
CN051	1-568-799-11	SOCKET, CONNECTOR 16P	

		MISCELLANEOUS	

121	△. 1-555-795-00	CORD, POWER (AEP)	
125	△. 1-557-577-11	CORD, POWER (US, Canadian)	
126	△. 1-556-035-00	CORD, POWER (UK)	
127	△. 1-555-386-00	CORD, POWER (E)	
128	△. 1-575-379-11	CORD, POWER (AUS)	
210	△. 8-848-209-11	DEVICE, OPTICAL KSS-271A	
D701	8-719-970-07	DIODE MBG3371X-TP-J47K	
D702	8-719-971-52	DIODE MAY3371X-TP-J47K	
F991	△. 1-532-066-00	FUSE, TIME-LAG (0.4A) (AEP, UK, AUS)	
F991	△. 1-532-215-00	FUSE, TIME LAG (0.8A) (E)	
F991	△. 1-523-742-11	FUSE, GLASS TUBE (1.6A) (US, Canadian)	
M001	A-4604-347-A	MOTOR (L) ASSY	
M002	X-4927-605-3	BASE ASSY, MECHANICAL (SPINDLE MOTOR)	
S991	△. 1-570-156-11	SWITCH, PUSH (AC POWER) (1 KEY)	
T901	1-450-025-21	TRANSFORMER, POWER (US, Canadian)	
T901	1-450-028-21	TRANSFORMER, POWER (E)	
T901	△. 1-450-521-11	TRANSFORMER, POWER (AEP, UK, AUS)	
T902	1-450-024-21	TRANSFORMER, POWER (US, Canadian)	
T902	△. 1-450-522-11	TRANSFORMER, POWER (AEP, UK, AUS)	
VS901	△. 1-526-576-51	SELECTOR, POWER VOLTAGE (VOLTAGE SELECTOR) (E)	

Ref. No.	Part No.	Description	Remark
		ACCESSORY & PACKING MATERIAL	

	1-465-592-11	COMMANDER, REMOTE (RM-D891) (GOLD) (Including* 1)	
	1-465-593-11	COMMANDER, REMOTE (RM-D991) (BLACK) (Including* 1)	
	1-558-271-11	CORD, CONNECTION	
△.	1-569-007-11	ADAPTER, CONVERSION 2P (E)	
	3-707-584-01	COVER, BATTERY (* 1)	
	3-750-090-01	INSTRUCTION (Canadian)	
	3-752-483-11	MANUAL, INSTRUCTION (ENGLISH, FRENCH, SPANISH, PORTUGUESE) (EXCEPT FOR US)	
	1-533-183-11	HOLDER, FUSE	
	3-752-483-21	MANUAL, INSTRUCTION (ENGLISH) (US, AUS)	
	3-752-483-41	MANUAL, INSTRUCTION (GERMAN, DUTCH, SWEDISH, ITALIAN)	
	3-795-629-11	INSTRUCTION (AEP)	
	4-847-802-00	SCREW (EXCEPT FOR UK) (BLACK)	
	4-847-802-11	DREW (GOLD)	
*	4-942-314-01	CUSHION (UPPER)	
*	4-942-315-01	CUSHION (LOWER)	
*	4-945-272-01	INDIVIDUAL CARTON	

HARDWARE LIST

# 1	7-621-996-24	BOLT 2.6X4, HEXAGON SOCKET (BLACK)
# 2	7-682-548-09	SCREW (3X8)
# 3	7-685-646-79	SCREW, TAPPING
# 4	7-685-870-01	SCREW +BVTT 3X5 (S)
# 5	7-682-547-04	SCREW +BVTT 3X6 (S)
# 6	7-682-560-04	SCREW +BVTT 4X6 (S)
# 7	7-682-147-15	SCREW, TR
# 8	7-682-549-09	SCREW +BVTT 3X10 (S)
# 9	7-682-547-09	SCREW +B 3X6
#10	7-685-647-79	SCREW +P 3X10 TYPE2 SLIT
#11	7-621-770-67	SCREW +BVTT 2.6X6 (S)
#12	7-624-105-04	STOP RING 2.3, TYPE -E
#13	7-682-544-04	SCREW +P 3X3
#14	7-621-775-10	SCREW +BVTT 2.6X4 (S)
#15	7-685-134-19	SCREW +BTP 2.6X8 TYPE2 N-S
#16	7-685-132-19	+ PTPWH (2.6X5)
#17	7-682-664-09	SCREW +PSW 4X14

Note:

The components identified by mark △ or dotted line with mark △ are critical for safety. Replace only with part number specified.

Note:

Les composants identifiés par une marque △ sont critiques pour la sécurité. Ne les remplacer que par une pièce portant le numéro spécifié.

CDP-X555ES

SONY SERVICE MANUAL

US Model
Canadian Model
AEP Model
UK Model
E Model
Australian Model

CORRECTION-1

Correct your service manual as shown below.

 : indicates corrected portion.

Page	INCORRECT			CORRECT	
	<u>No.</u>	<u>Part No.</u>	<u>Description</u>	<u>Part No.</u>	<u>Description</u>
23	173	_____	not supplied _____	4-927-641-24	CHASSIS(OUTSERT) MECHANICAL
<p>4-4. MECHANISM BLOCK (CDM11H-6C) : (BLACK) (CDM11I-6C) : (GOLD)</p> 